



**A-level
PHYSICS**

Paper 2

7408/2

Insert

Booklet of Diagrams

[Turn over]

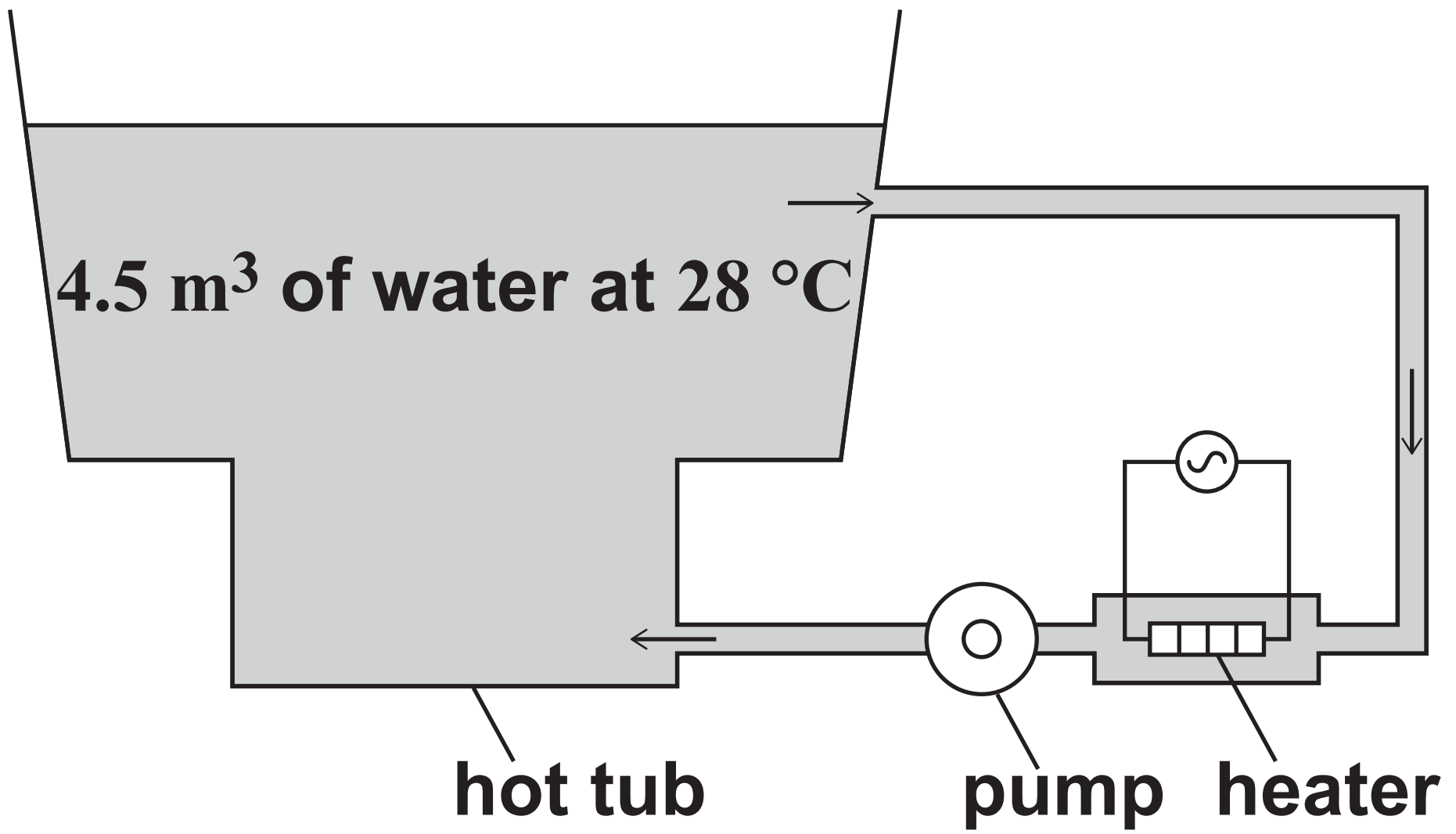
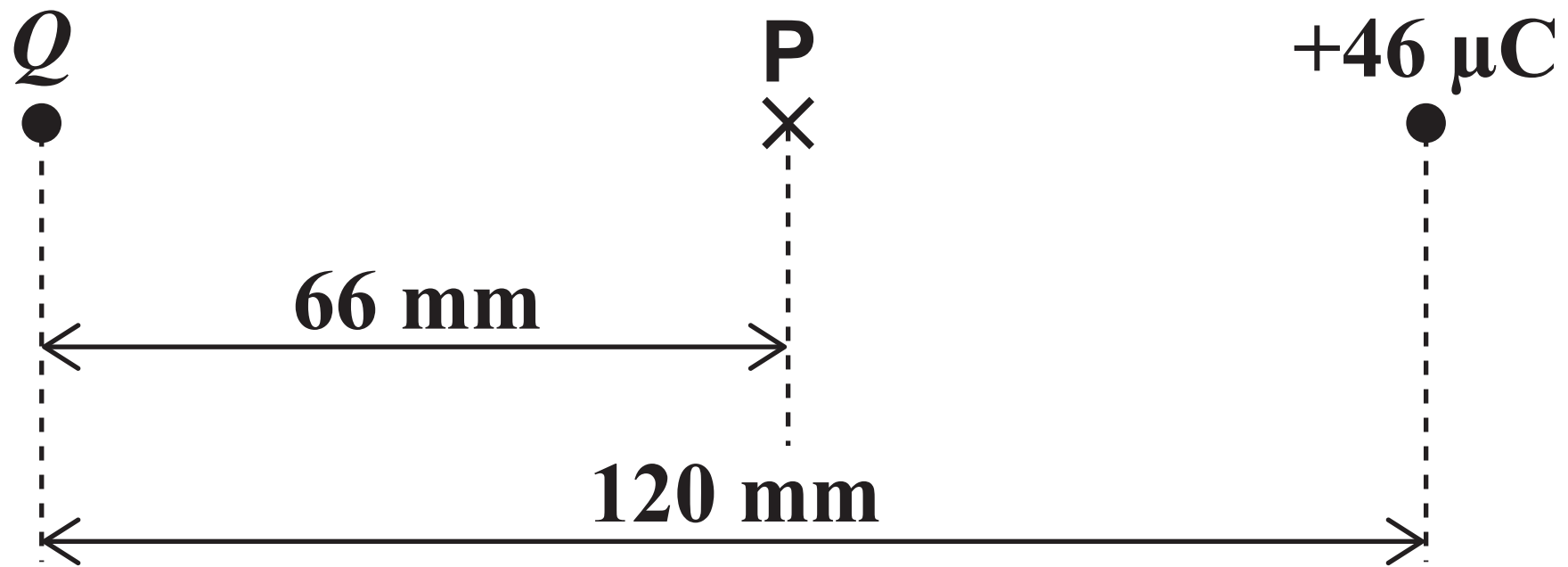
FIGURE 1 for use with Question 1

FIGURE 2 for use with Question 2



[Turn over]

FIGURE 3 for use with Question 2

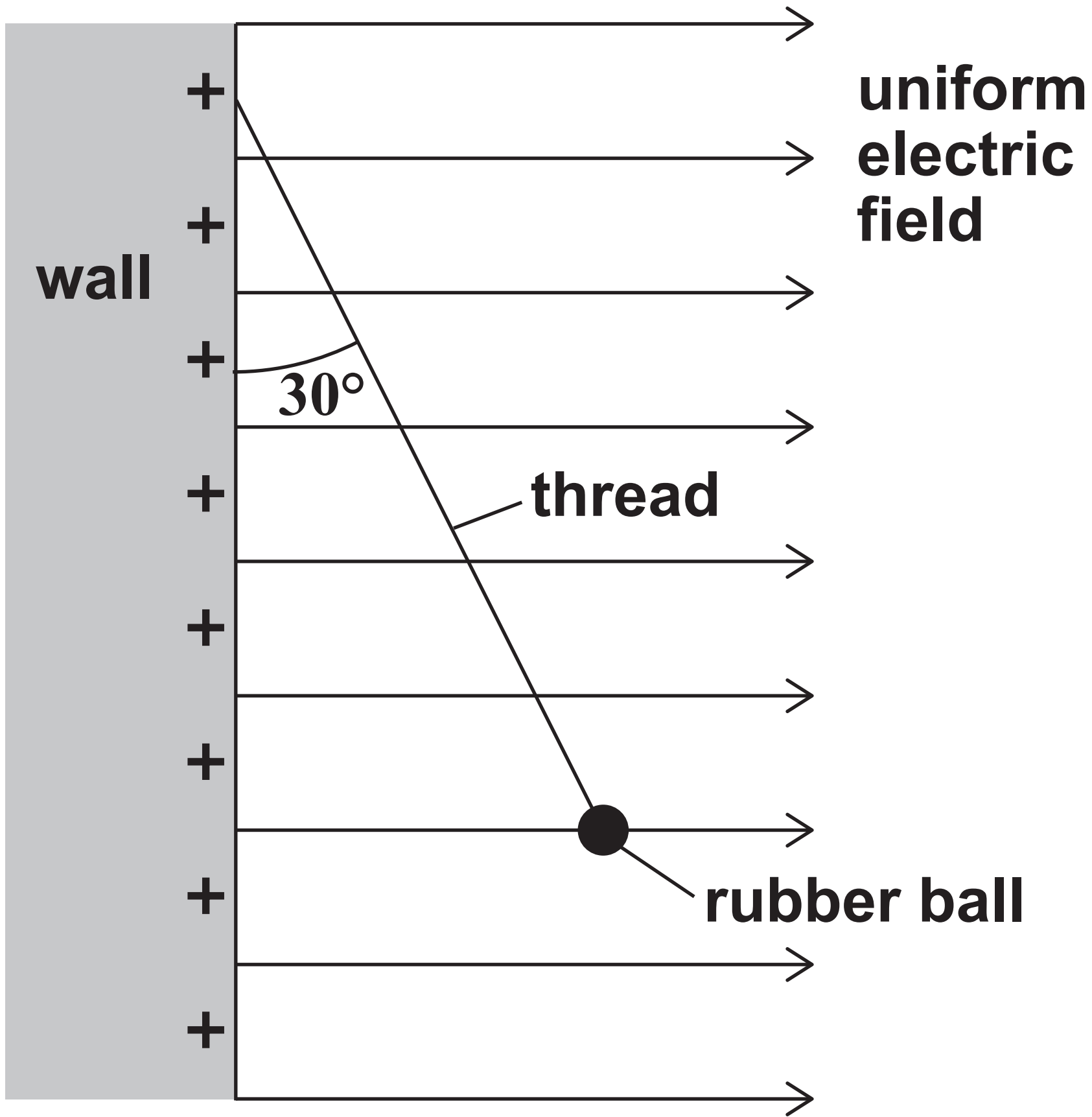
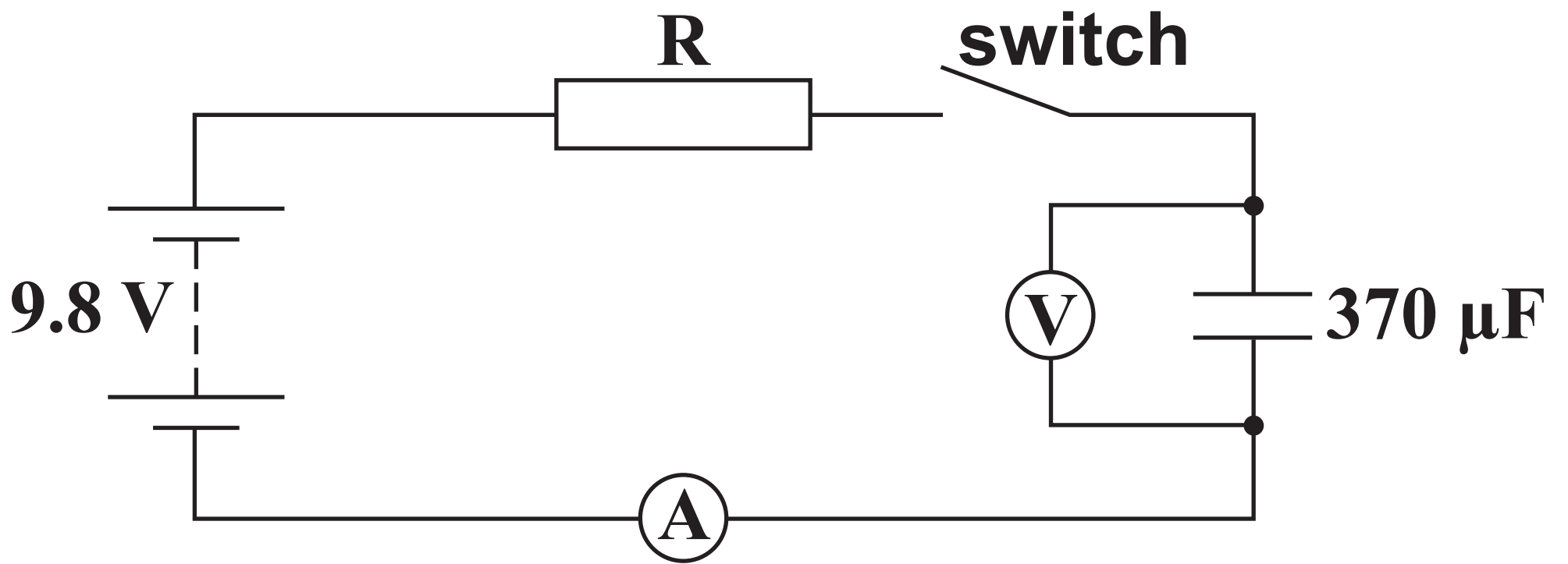


FIGURE 4 for use with Question 3



[Turn over]

6

FIGURE 6 for use with Question 4

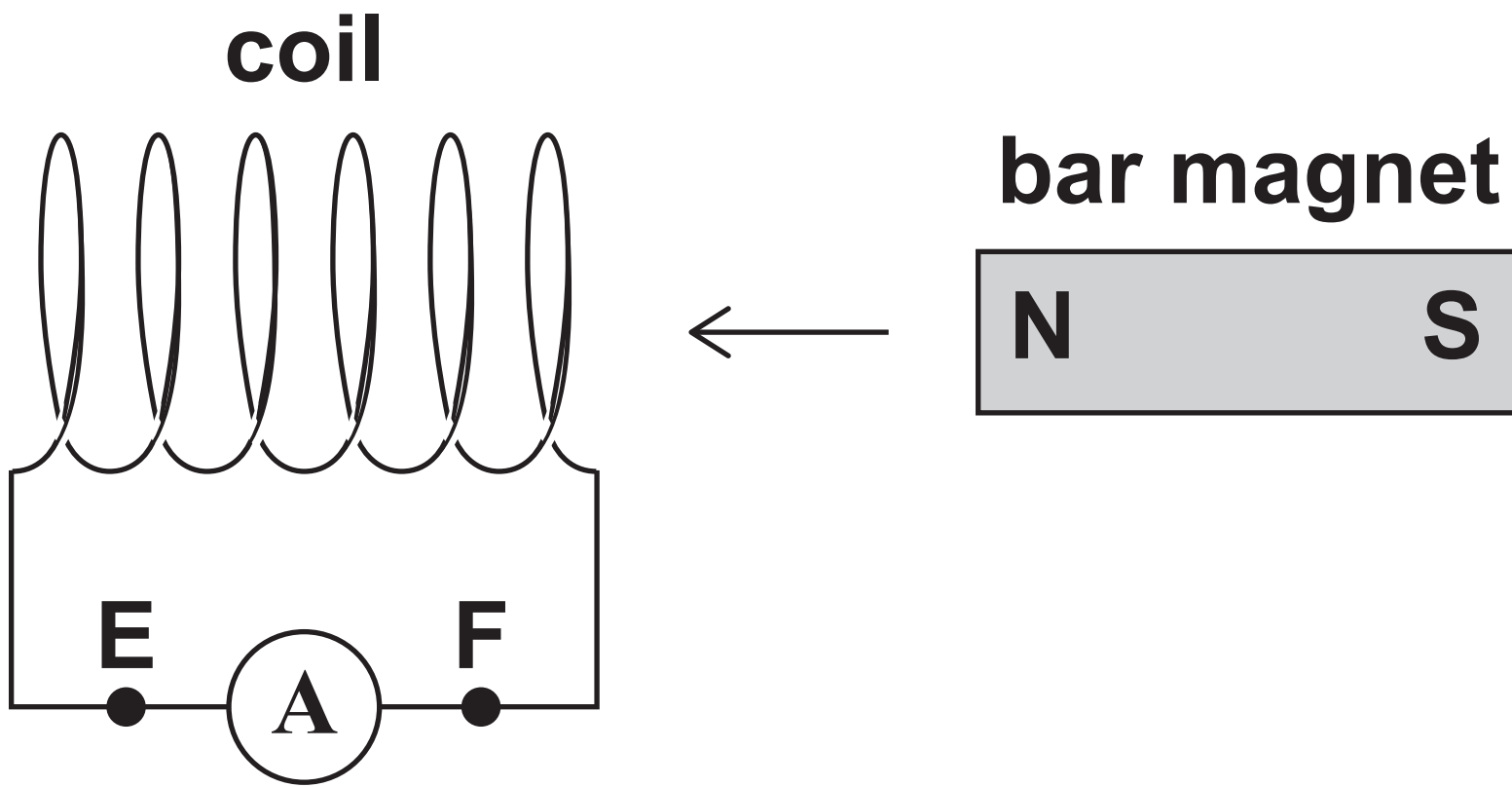
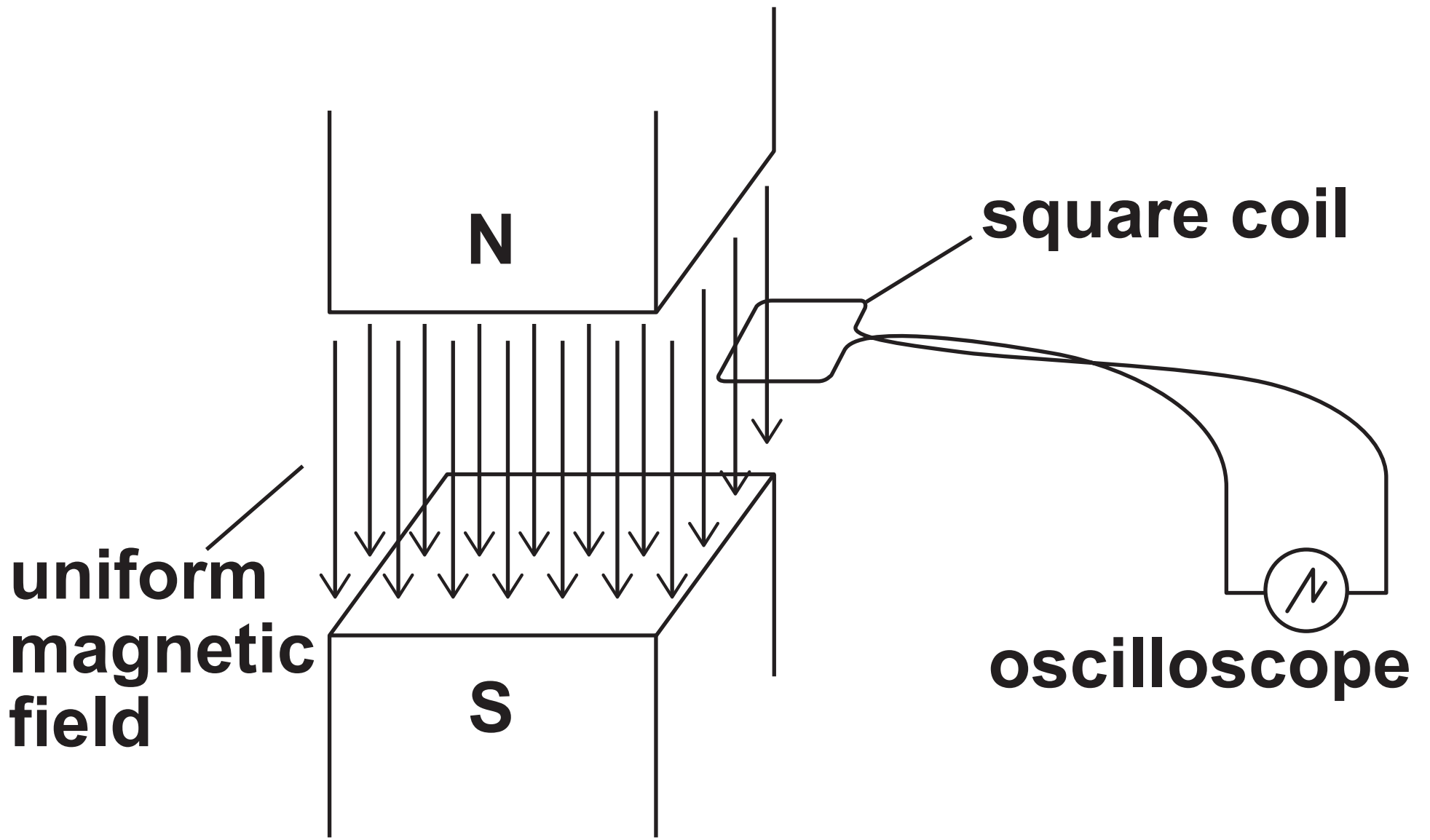
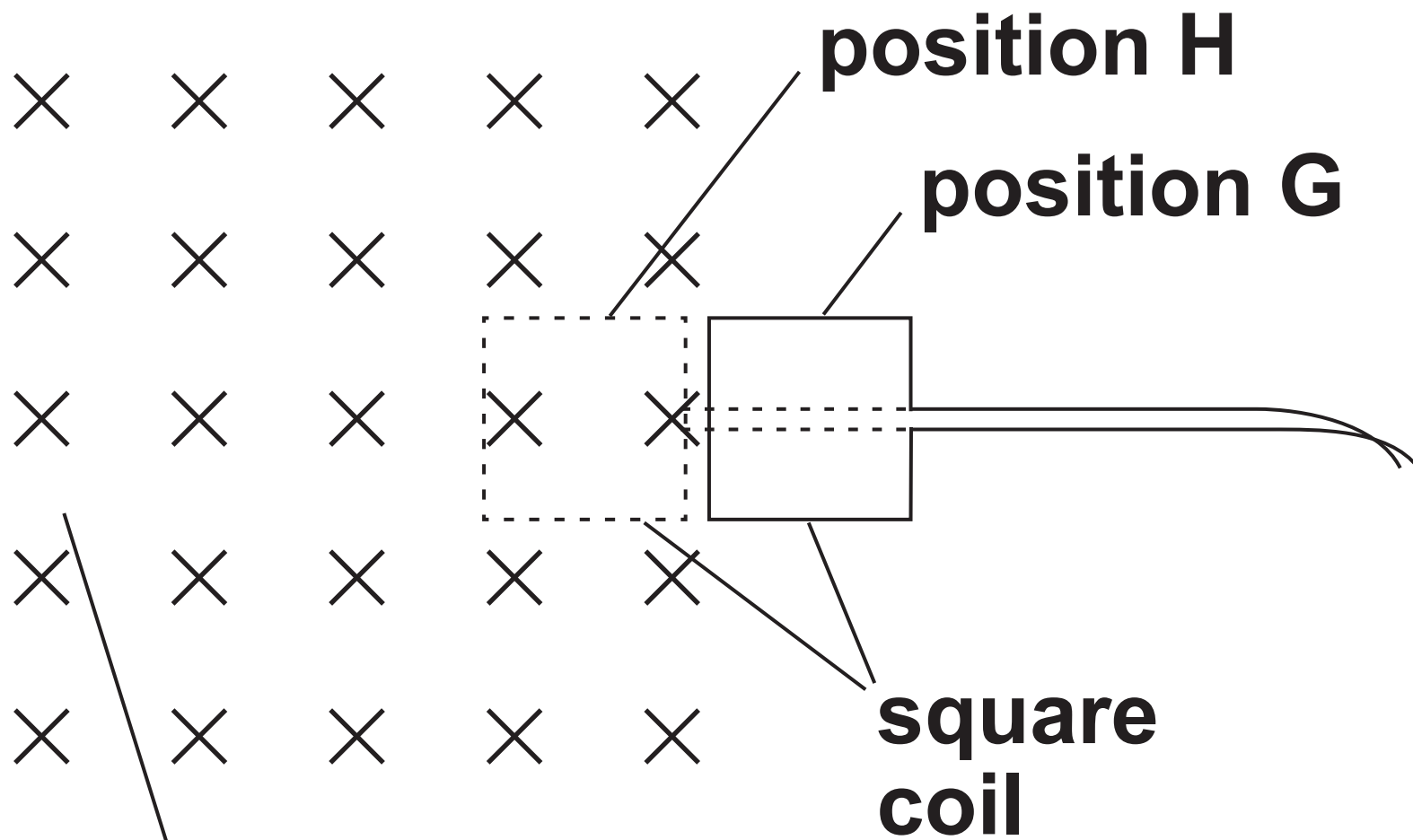


FIGURE 7 for use with Question 4



[Turn over]

FIGURE 8 for use with Question 4

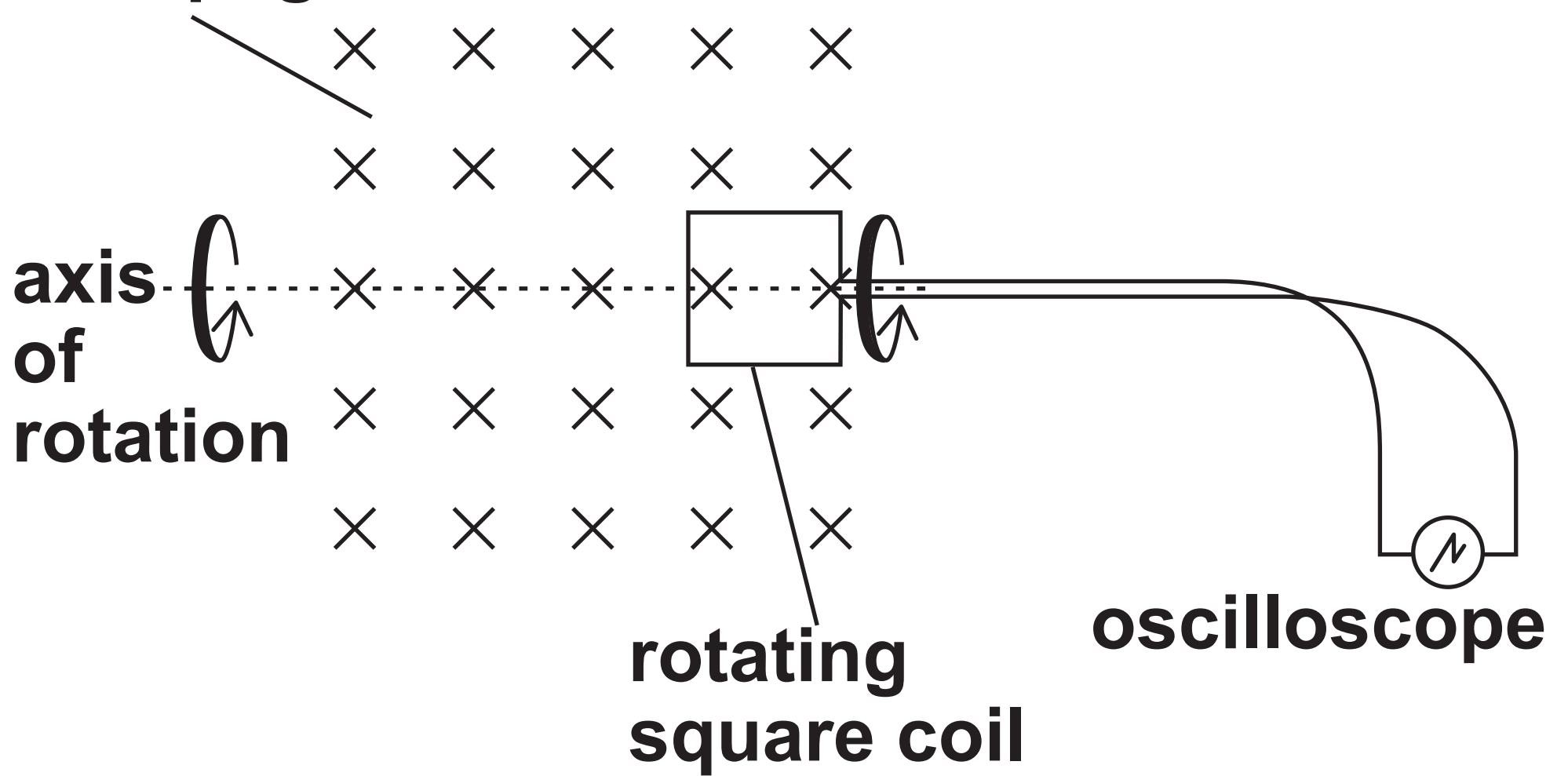
**0.38 T uniform
magnetic field
into page**

Length of side of square coil = 32 mm

**Magnetic flux density of uniform magnetic
field = 0.38 T**

FIGURE 9 for use with Question 4

**0.38 T uniform
magnetic field
into page**



[Turn over]

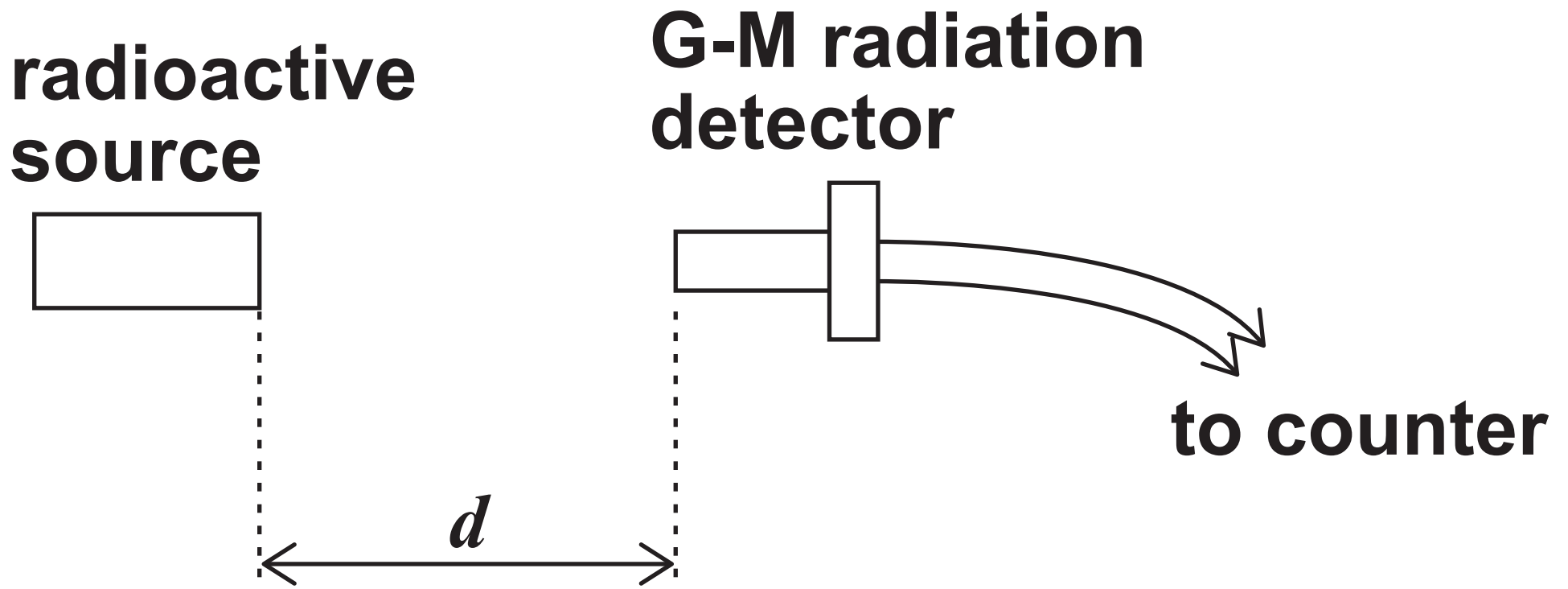
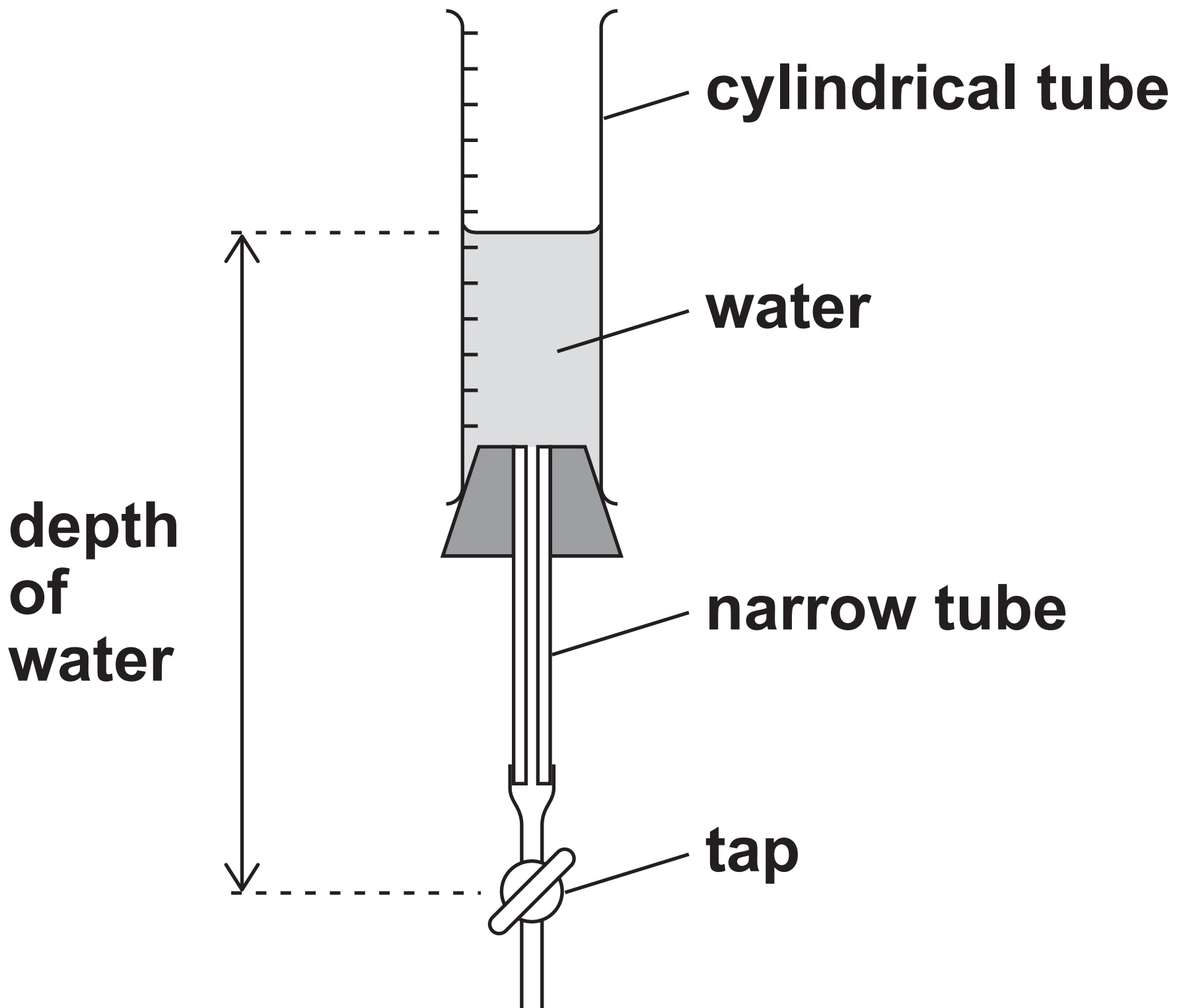
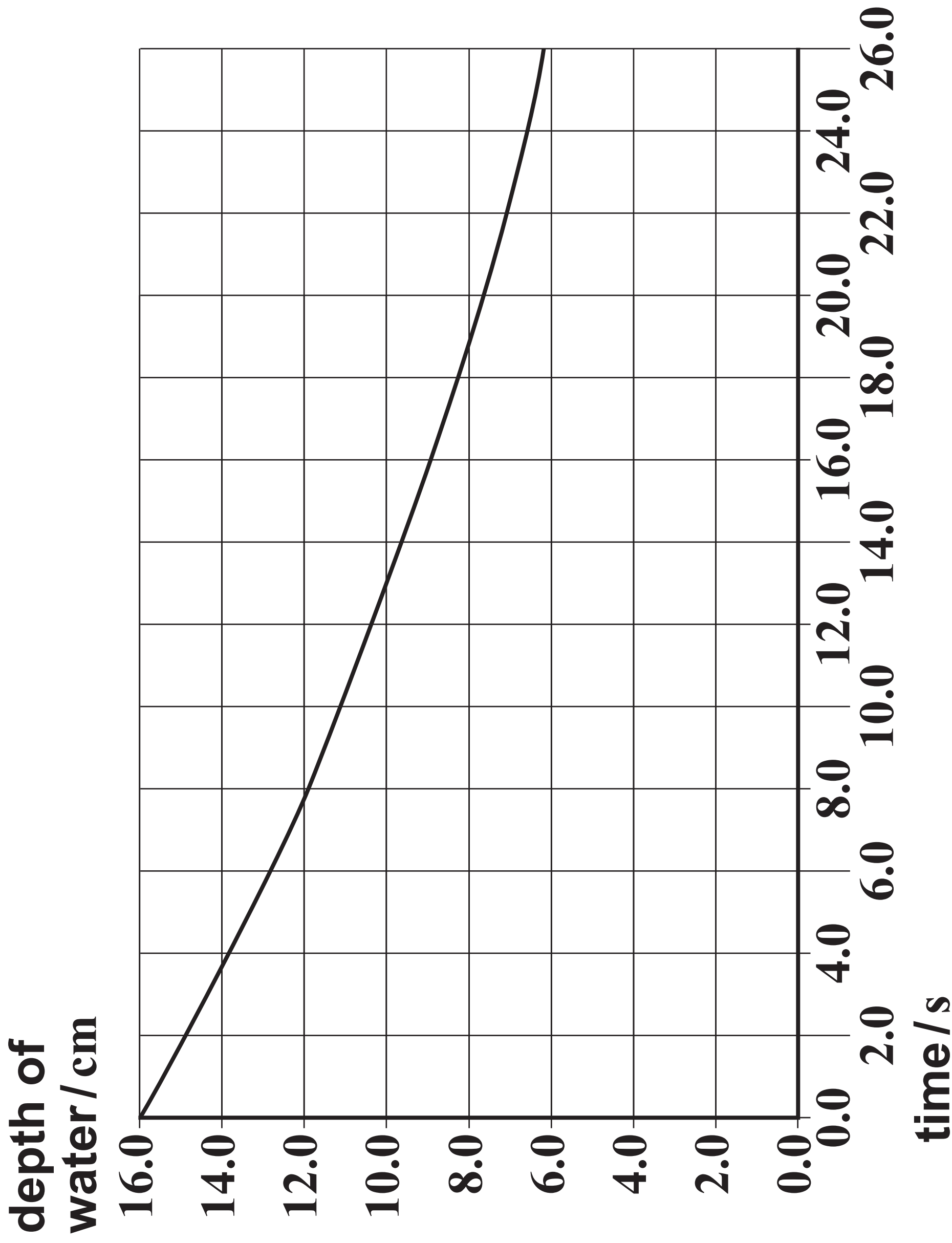
FIGURE 10 for use with Question 5

FIGURE 11 for use with Question 6



[Turn over]

FIGURE 12 for use with Question 6



BLANK PAGE

BLANK PAGE

Copyright information

For confidentiality purposes, from the November 2015 examination series, acknowledgements of third party copyright material will be published in a separate booklet rather than including them on the examination paper or support materials. This booklet is published after each examination series and is available for free download from www.aqa.org.uk after the live examination series.

Permission to reproduce all copyright material has been applied for. In some cases, efforts to contact copyright-holders may have been unsuccessful and AQA will be happy to rectify any omissions of acknowledgements. If you have any queries please contact the Copyright Team, AQA, Stag Hill House, Guildford, GU2 7XJ.

Copyright © 2018 AQA and its licensors. All rights reserved.