



Functional Skills Certificate

FUNCTIONAL MATHEMATICS

Level 2

Data Book (Examination)

March 2018

Insert

Instructions

- This copy of the Data Book is for use in the examination. It should not be given to students in advance.

Advice

- This book will not be collected in for marking. Ensure that all working that you wish to have marked is written in the space provided in the Question Paper/Answer Book.

4368

QAN 500/8702/2

Data Sheet for Heating

Winter fuel payment

People born before 5 August 1953 got a payment in 2017 to help pay their heating bills.

How much a person got depended on who they were living with in the **qualifying week**.

For 2017, the qualifying week was 18 September to 24 September 2017

	Born before 5 August 1953	
	Aged under 80 in the qualifying week	Aged 80 or over in the qualifying week
Person lives alone or is the only person in the household who gets a payment	£200	£300
Person lives with someone aged under 80 who also gets a payment	£100	£200
Person lives with someone aged 80 or over who also gets a payment	£100	£150

Example 1

Betty and Vic live together.

Betty was 86 years old in the qualifying week.

Vic was born in 1957

Betty got a payment of £300

Vic did not get a payment.

Example 2

John and Mary live together.

John was born in 1927

Mary was born in 1935

John got a payment of £150

Mary also got a payment of £150

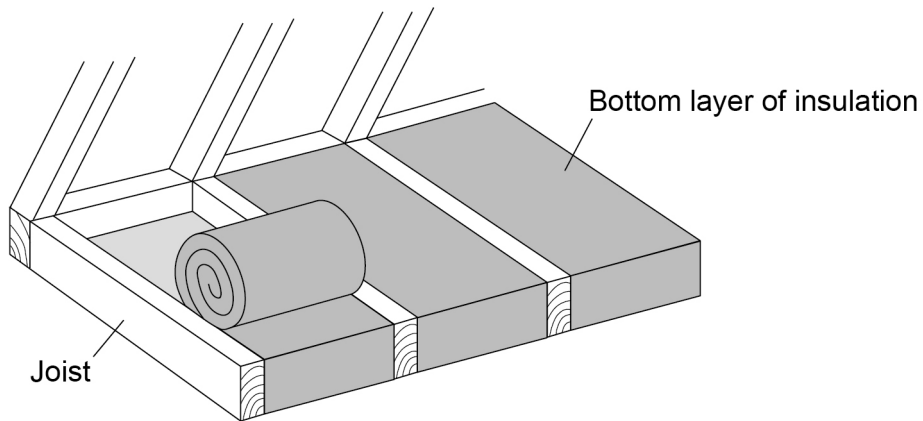
Insulating a loft

Insulating a loft will reduce the amount of heat the house loses.

This will result in lower heating costs.

Instructions

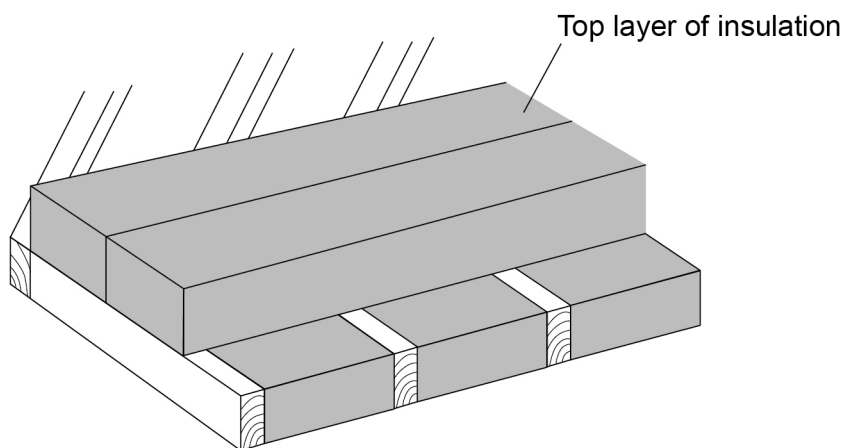
- 1 Put a bottom layer of insulation between the joists.



Subtract 10% from the area of the loft to allow for the joists.

Use the answer to work out how many rolls of bottom layer insulation you need.

- 2 Put a top layer of insulation over the joists and the bottom layer.



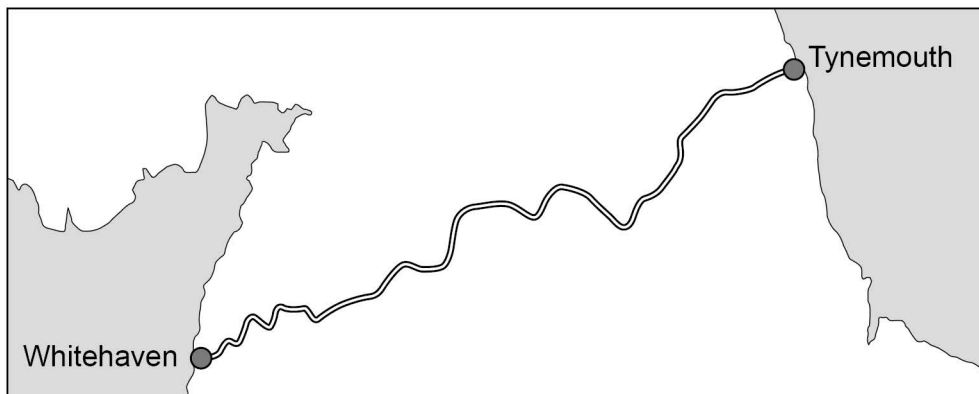
Use the **full** area of the loft to work out how many rolls of top layer insulation you need.

Turn over ►

Data Sheet for Coast to Coast



The Coast to Coast cycle route starts at Whitehaven and finishes at Tynemouth.



The cycle route usually takes between 3 days and 5 days to complete.

Overnight stays

Here is some information about possible places for overnight stays along the route.

Place	Distance from Whitehaven
Whitehaven	0 km
Lorton	34 km
Keswick	50 km
Greystoke	77 km
Penrith	89 km
Melmerby	103 km
Alston	120 km
Allenheads	138 km
Rookhope	148 km
Stanhope	156 km
Consett	179 km
Newcastle	206 km
Tynemouth	225 km

Distance between places

The distance between places can be worked out from the table.

For example, the distance from Alston to Rookhope is 28 km

Baggage transfer

You can pay to have your baggage moved from one place to another.

END OF DATA

There are no data printed on this page

There are no data printed on this page

There are no data printed on this page

Copyright information

For confidentiality purposes, from the November 2015 examination series, acknowledgements of third party copyright material will be published in a separate booklet rather than including them on the examination paper or support materials. This booklet is published after each examination series and is available for free download from www.aqa.org.uk after the live examination series.

Permission to reproduce all copyright material has been applied for. In some cases, efforts to contact copyright-holders may have been unsuccessful and AQA will be happy to rectify any omissions of acknowledgements. If you have any queries please contact the Copyright Team, AQA, Stag Hill House, Guildford, GU2 7XJ.

Copyright © 2018 AQA and its licensors. All rights reserved.