



# **A-level COMPUTER SCIENCE**

**Paper 1**

**7517/1**

**Insert**

**FIGURE 2 for use in answering Question 2**

**FIGURE 4 for use in answering Question 3**

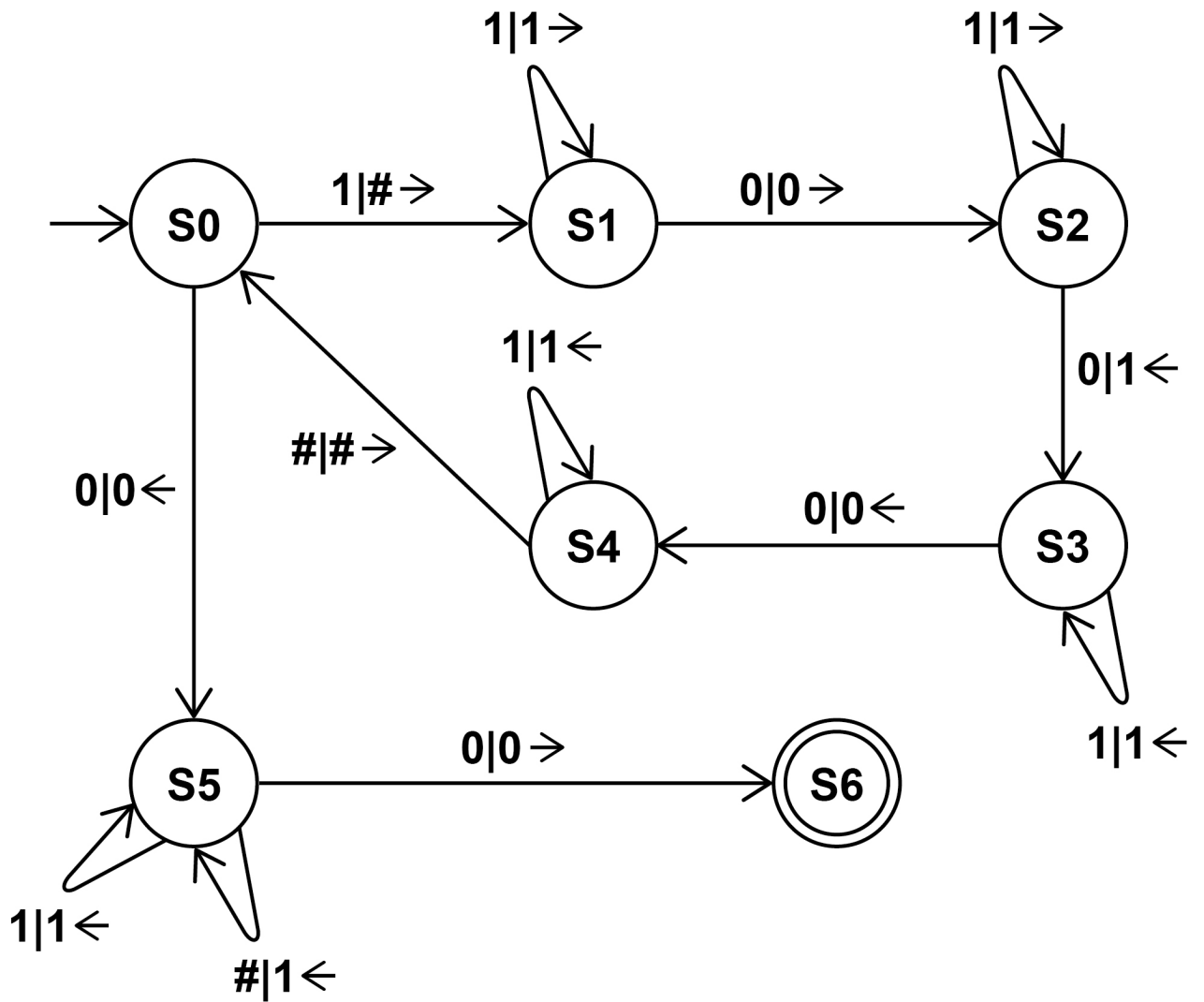
**FIGURE 5 for use in answering Question 3**

**FIGURE 6 for use in answering Question 3.**

**[Turn over]**

**BLANK PAGE**

FIGURE 2



[Turn over]

FIGURE 4

<b>C</b>			<b>B</b>
		<b>A</b>	
	<b>B</b>		
			<b>A</b>

FIGURE 5

<b>0</b>	<b>1</b>	<b>2</b>	<b>3</b>
<b>4</b>	<b>5</b>	<b>6</b>	<b>7</b>
<b>8</b>	<b>9</b>	<b>10</b>	<b>11</b>
<b>12</b>	<b>13</b>	<b>14</b>	<b>15</b>

FIGURE 6

	0	1	2	3	4	5	6	7	8	9	10	11	12	13	14	15	
0		1	1	1	1	1	0	0	1	0	0	0	1	0	0	0	
1			1	1	1	1	0	0	0	1	0	0	0	1	0	0	
2				1	0	0	1	1	0	0	1	0	0	0	1	0	
3					0	0	1	1	0	0	0	1	0	0	0	1	
4						1	1	1	1	0	0	0	1	0	0	0	
5							1	1	0	1	0	0	0	1	0	0	
6								1	0	0	1	0	0	0	1	0	
7									0	0	0	1	0	0	0	1	
8										1	1	1	1	1	0	0	
9											1	1	1	1	0	0	
10												1	0	0	1	1	
11													0	0	1	1	
12														1	1	1	
13															1	1	
14																	1
15																	

END OF SOURCES

# BLANK PAGE

## Copyright Information

For confidentiality purposes, from the November 2015 examination series, acknowledgements of third-party copyright material are published in a separate booklet rather than including them on the examination paper or support materials. This booklet is published after each examination series and is available for free download from [www.aqa.org.uk](http://www.aqa.org.uk) after the live examination series.

Permission to reproduce all copyright material has been applied for. In some cases, efforts to contact copyright-holders may have been unsuccessful and AQA will be happy to rectify any omissions of acknowledgements. If you have any queries please contact the Copyright Team, AQA, Stag Hill House, Guildford, GU2 7XJ.

Copyright © 2019 AQA and its licensors. All rights reserved.

**IB/M/CD/Jun19/7517/1/INS/E3**