

Please write clearly in block capitals.

Centre number

Candidate number

Surname \_\_\_\_\_

Forename(s) \_\_\_\_\_

Candidate signature \_\_\_\_\_

I declare this is my own work.

# Functional Skills Level 1 MATHEMATICS

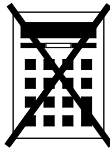
## Paper 1 Non-Calculator

Time allowed: 30 minutes

### Materials

For this paper you must have:

- mathematical instruments.
- You must **not** use a calculator.



### Instructions

- Use black ink or black ball-point pen. Draw diagrams in pencil.
- Answer **all** questions.
- You must answer the questions in the spaces provided. Do not write outside the box around each page or on blank pages.
- If you need extra space for your answer(s), use the lined pages at the end of this book. Write the question number against your answer(s).
- Do all rough work in this book. Cross through any work you do not want to be marked.
- State the units of your answer where appropriate.

### Information

- The marks for questions are shown in brackets.
- The maximum mark for this paper is 20.
- You may ask for more answer paper, graph paper and tracing paper. These must be tagged securely to this answer book.

### Advice

In all calculations, show clearly how you work out your answer.

For Examiner's Use	
Question	Mark
1–5	
6	
<b>TOTAL</b>	



**Section A**Answer **all** questions in the spaces provided.**1** Circle the negative integer.**[1 mark]**

-1.4

8

0.6

-23

**2** Work out  $97\,004 \div 1000$ **[1 mark]**

---

Answer \_\_\_\_\_

**3** Work out  $5^2 + 3^2$ **[2 marks]**

---

---

---

---

Answer \_\_\_\_\_



4 Write two and four fifths in digits.

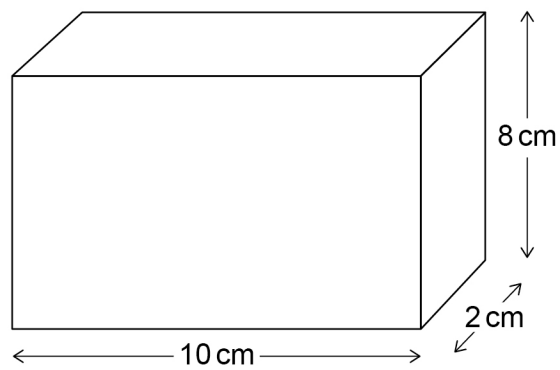
[1 mark]

---

---

Answer \_\_\_\_\_

5



Work out the volume of the cuboid.

State the units of your answer.

[3 marks]

---

---

---

---

---

---

---

Answer \_\_\_\_\_

—
8

Turn over ►



**Section B**Answer **all** questions in the spaces provided.**6 Jewellery**

Libby makes and sells jewellery.

**6 (a)** Libby is making a bracelet.

She uses white beads and blue beads in the ratio 1 : 3

Libby uses 6 white beads for the bracelet.

She has 10 blue beads.

How many **more** blue beads does she need to complete the bracelet?**[2 marks]**

---

---

---

---

---

---

---

Answer \_\_\_\_\_

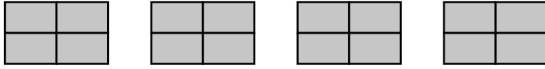
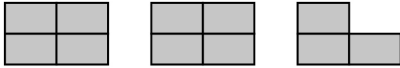




**6 (c)** Libby sells her jewellery at a craft fair.

The pictogram shows some information about the items of jewellery she sold one day.

Key:  = 4 items

Necklace	
Anklet	
Bracelet	
Ring	

In total, Libby sold 45 items of jewellery that day.

She sold twice as many bracelets as rings.

Complete the pictogram.

**[5 marks]**

---



---



---



---



---

12

**END OF QUESTIONS**



**There are no questions printed on this page**

*Do not write  
outside the  
box*

**DO NOT WRITE ON THIS PAGE  
ANSWER IN THE SPACES PROVIDED**













**There are no questions printed on this page**

*Do not write  
outside the  
box*

**DO NOT WRITE ON THIS PAGE  
ANSWER IN THE SPACES PROVIDED**

**Copyright information**

For confidentiality purposes, all acknowledgements of third-party copyright material are published in a separate booklet. This booklet is published after each live examination series and is available for free download from [www.aqa.org.uk](http://www.aqa.org.uk).

Permission to reproduce all copyright material has been applied for. In some cases, efforts to contact copyright-holders may have been unsuccessful and AQA will be happy to rectify any omissions of acknowledgements. If you have any queries please contact the Copyright Team.

Copyright © 2022 AQA and its licensors. All rights reserved.

