

A



**AS  
PHYSICS**

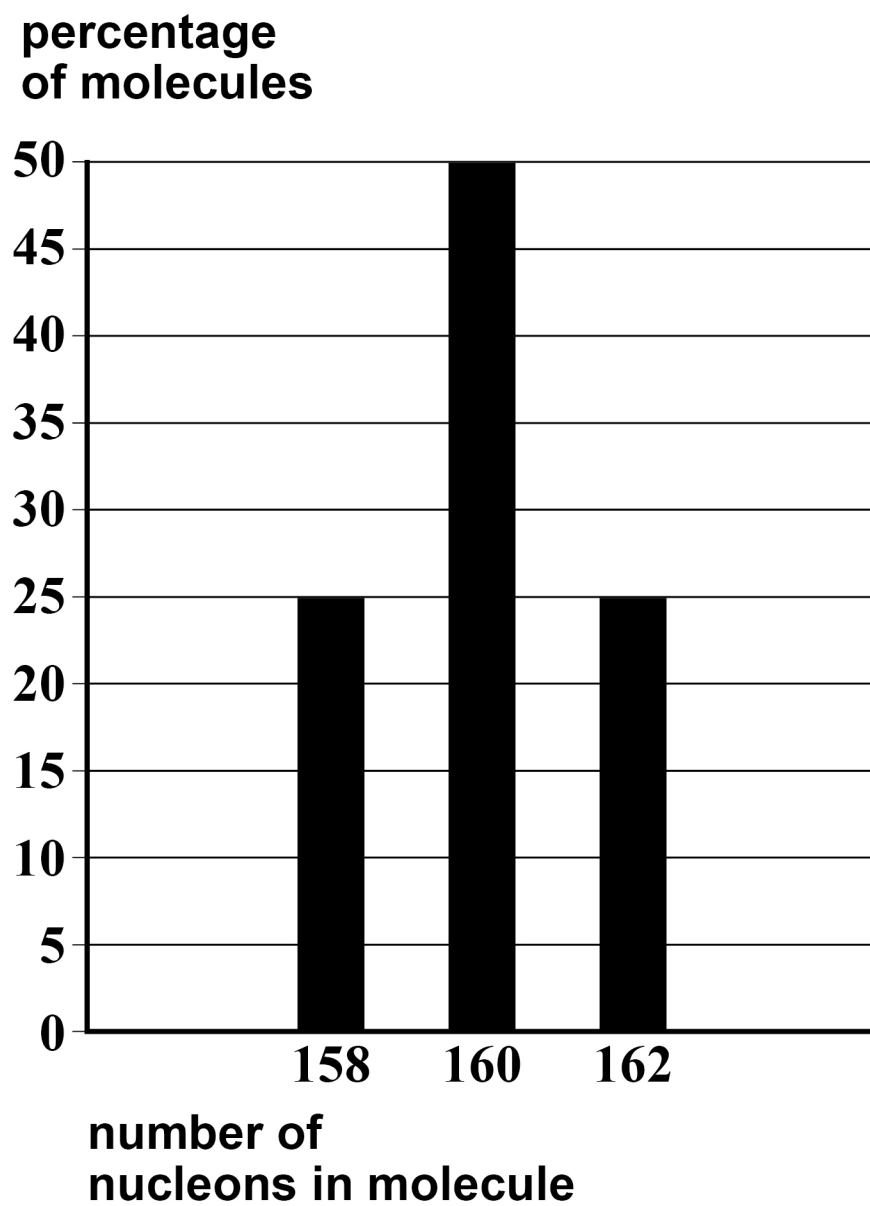
**Paper 1**

**7407/1**

**Diagram Booklet**

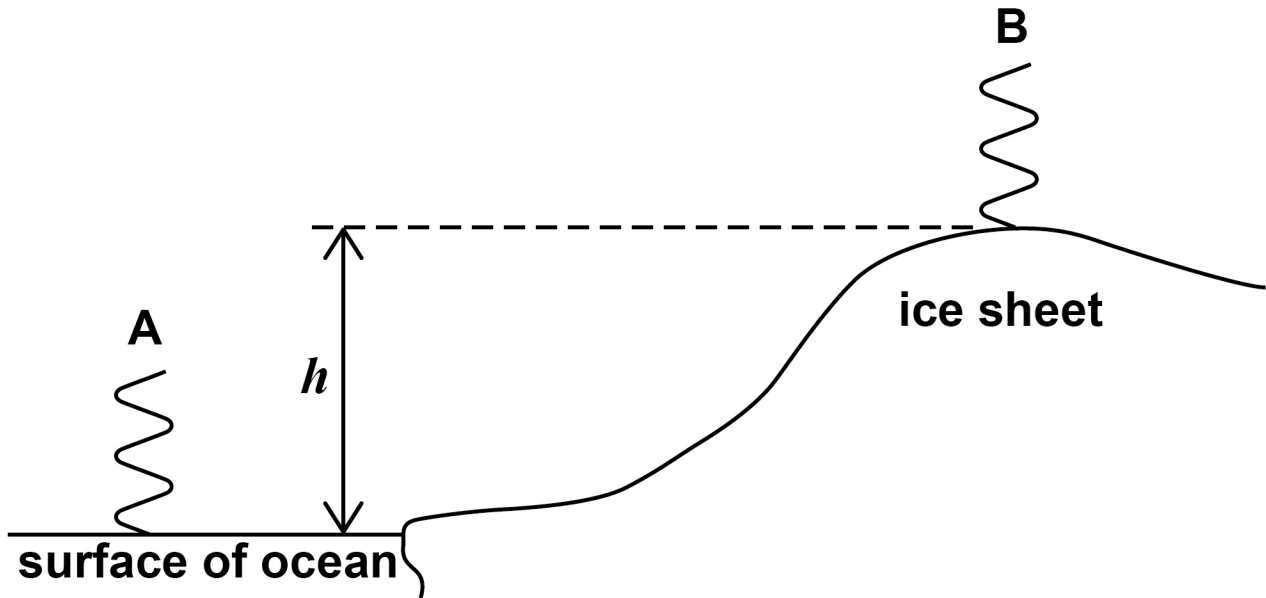
**[Turn over]**

FIGURE 1



**FIGURE 2**

The diagram is NOT drawn to scale



[Turn over]

**FIGURE 3**

The diagram is NOT drawn to scale

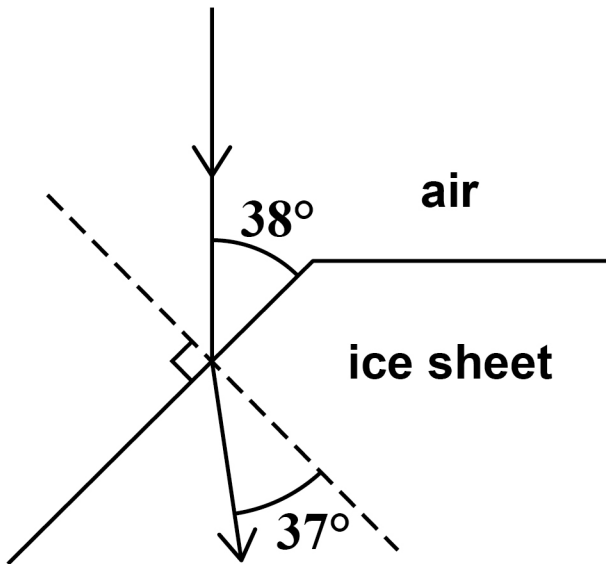
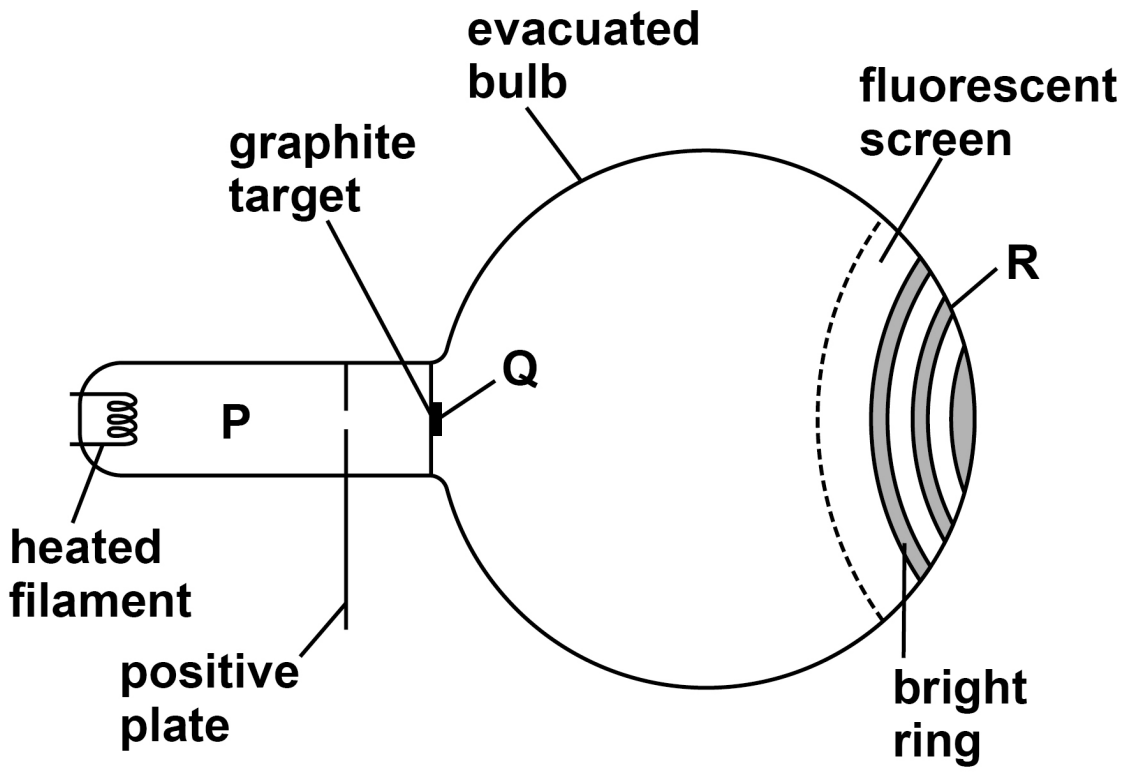


FIGURE 4



[Turn over]

FIGURE 5

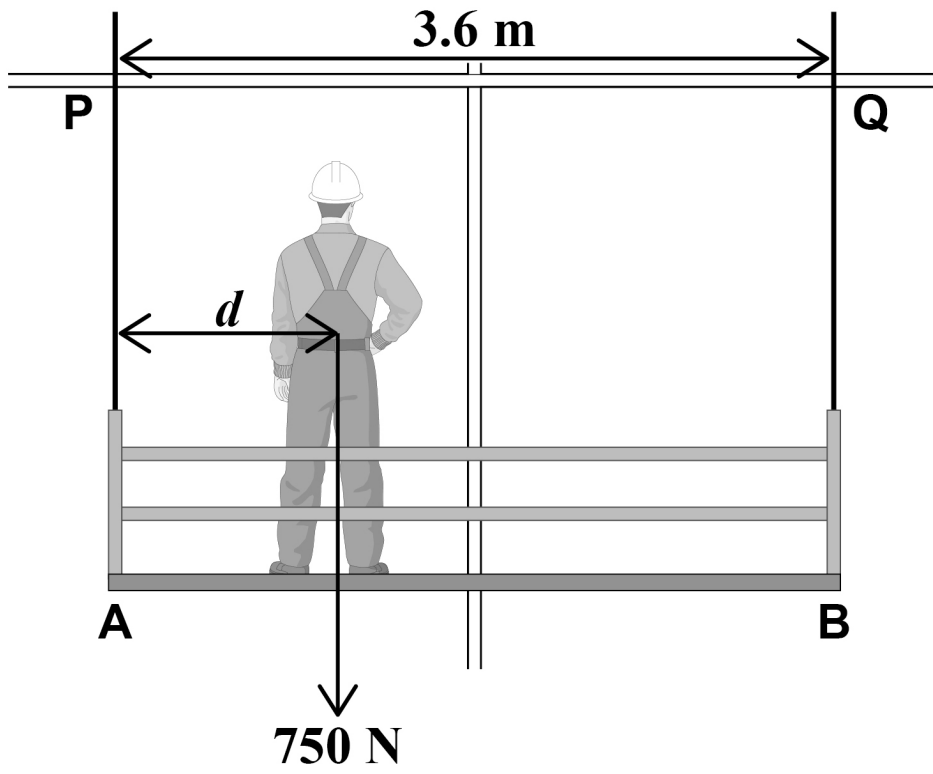
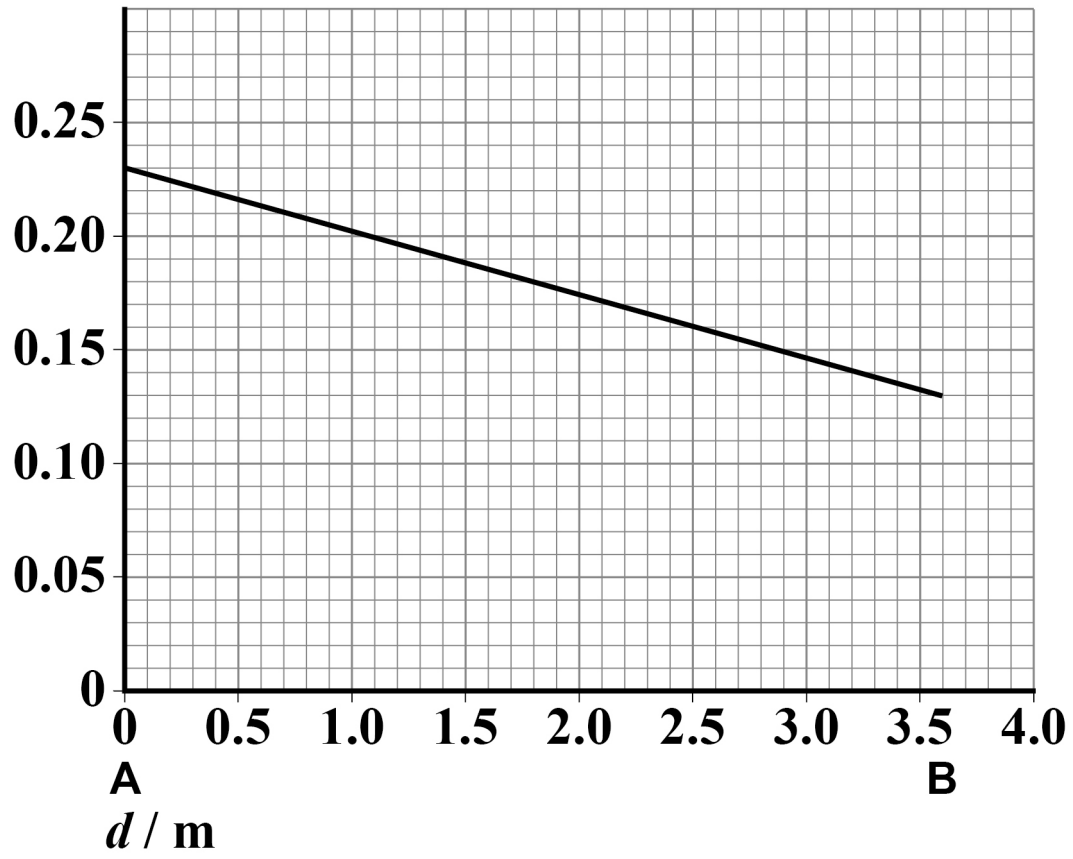


FIGURE 6

extension / mm



[Turn over]

**FIGURE 8**

The diagram is NOT drawn to scale

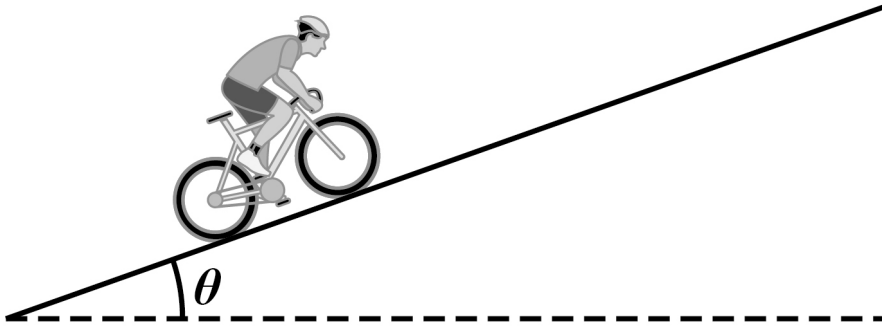
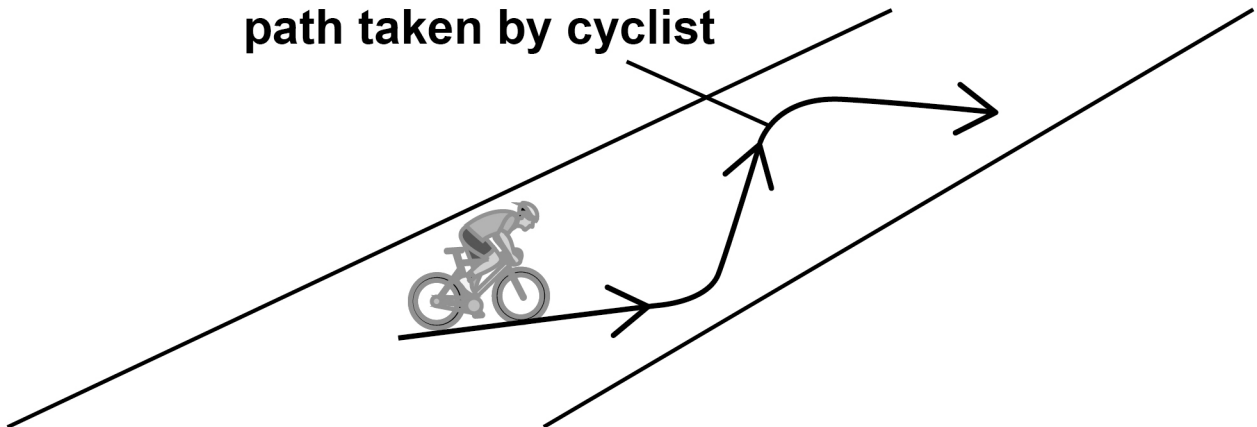
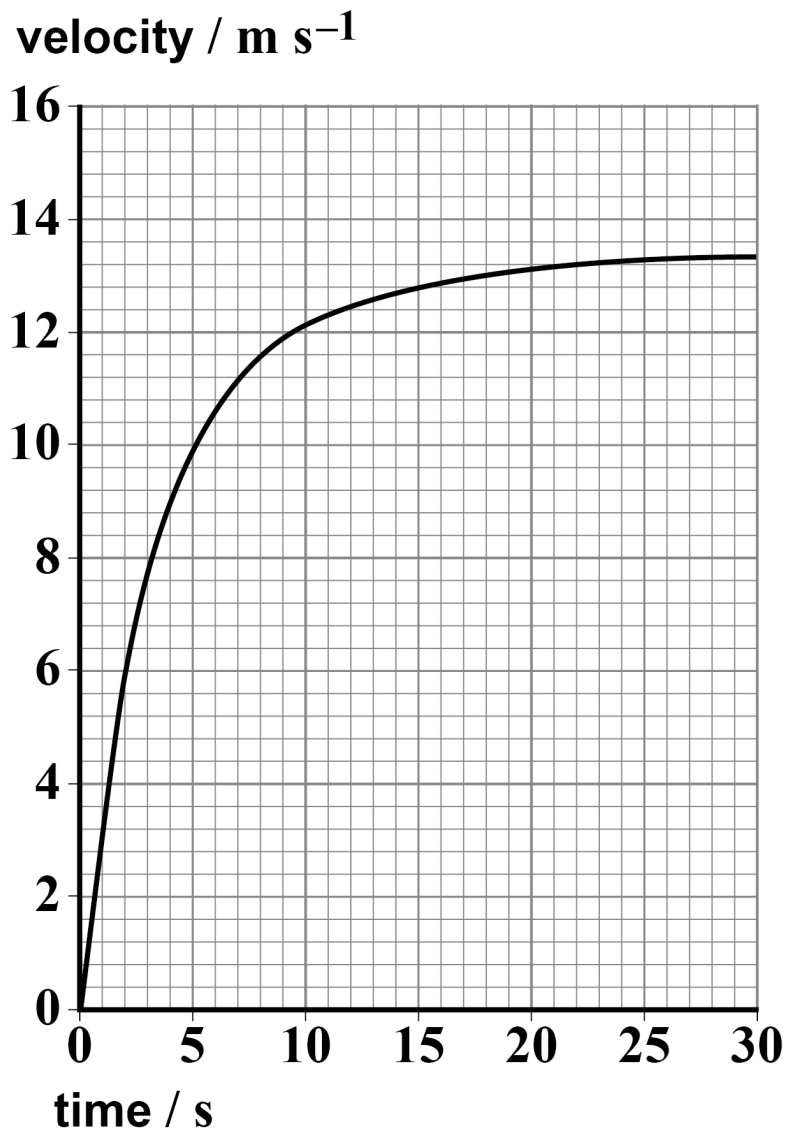
**FIGURE 9**



FIGURE 10



[Turn over]

FIGURE 11

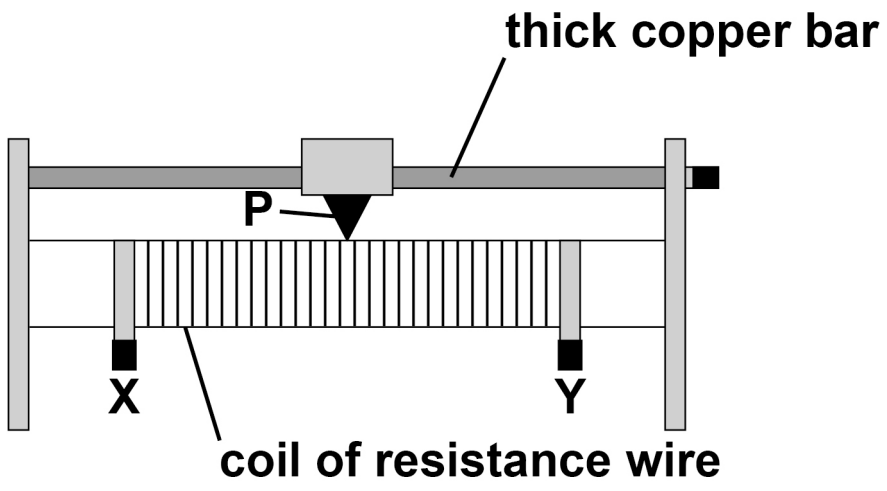
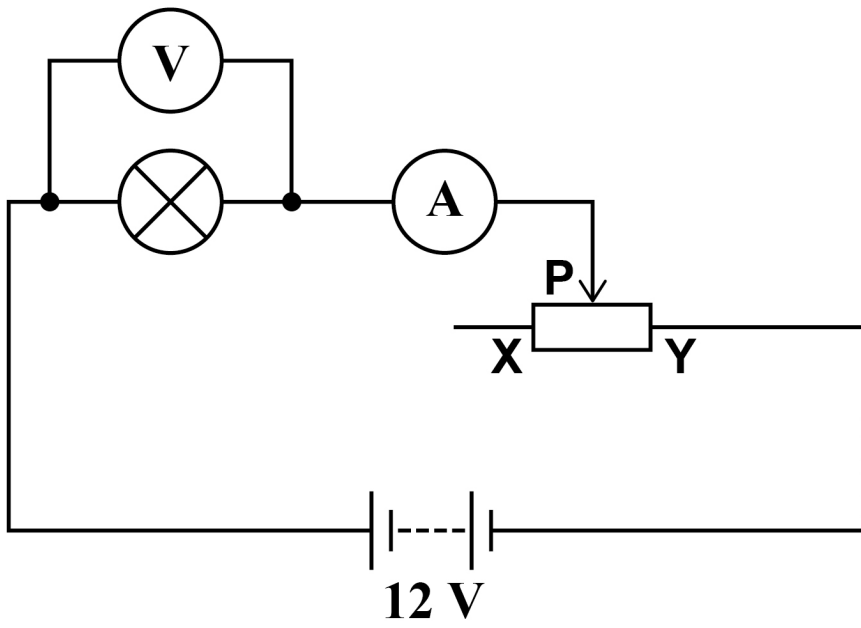


FIGURE 12



[Turn over]

FIGURE 13

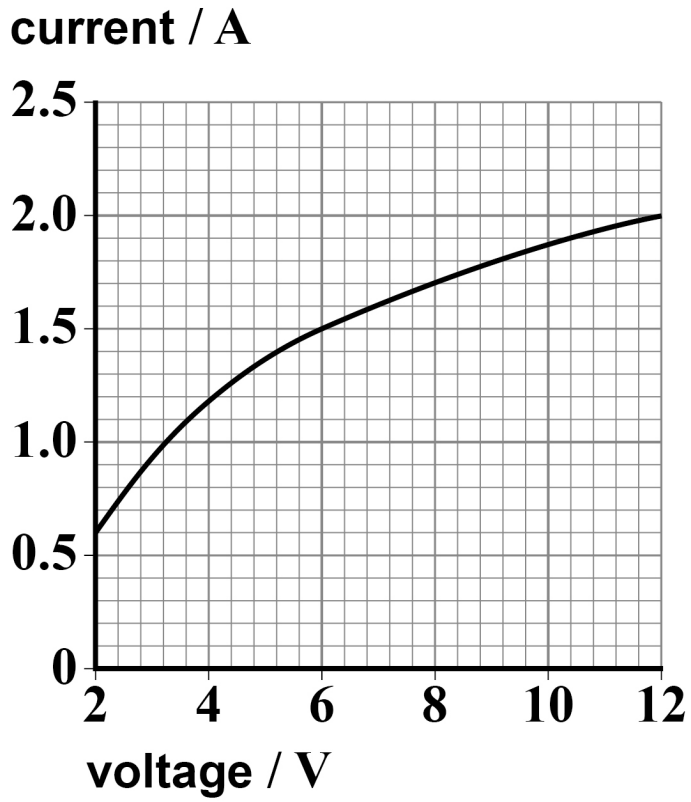
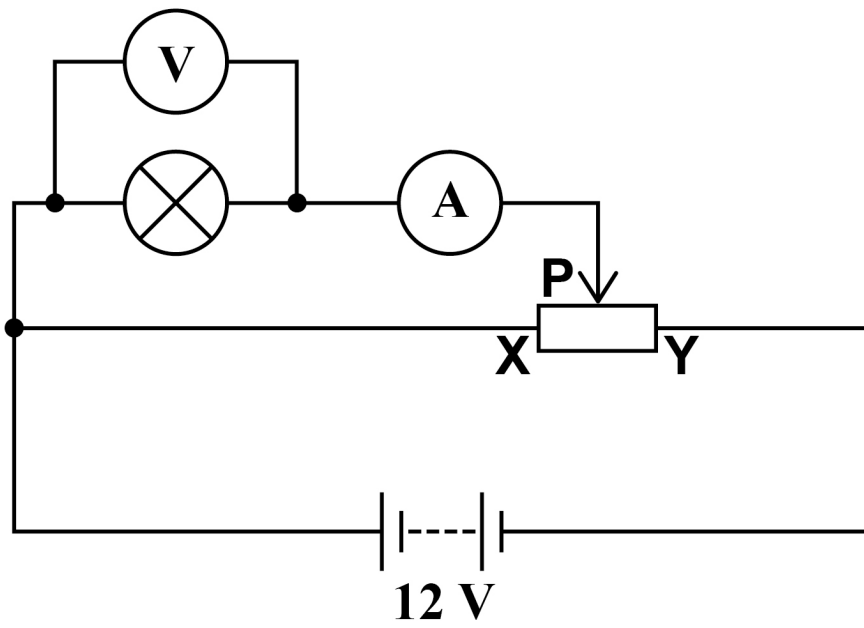


FIGURE 14



END OF DIAGRAM BOOKLET

# BLANK PAGE

## Copyright information

For confidentiality purposes, all acknowledgements of third-party copyright material are published in a separate booklet. This booklet is published after each live examination series and is available for free download from [www.aqa.org.uk](http://www.aqa.org.uk).

Permission to reproduce all copyright material has been applied for. In some cases, efforts to contact copyright-holders may have been unsuccessful and AQA will be happy to rectify any omissions of acknowledgements. If you have any queries please contact the Copyright Team.

Copyright © 2022 AQA and its licensors. All rights reserved.

**IB/M/CH/Jun22/7407/1/E1**



2 2 6 A 7 4 0 7 / 1