



Surname _____

Forename(s) _____

Centre Number _____

Candidate Number _____

Candidate Signature _____

I declare this is my own work.

Functional Skills Level 1

MATHEMATICS

Paper 2 Calculator

8361/2

Thursday 3 November 2022

Afternoon

Time allowed: 1 hour 30 minutes

At the top of the page, write your surname and forename(s), your centre number, your candidate number and add your signature.

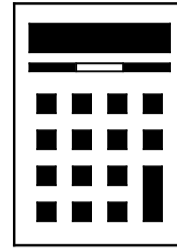
[Turn over]



MATERIALS

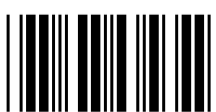
For this paper you must have:

- a calculator
- mathematical instruments.



INSTRUCTIONS

- Use black ink or black ball-point pen. Draw diagrams in pencil.
- Answer ALL questions.
- You must answer the questions in the spaces provided. Do not write on blank pages.
- If you need extra space for your answer(s), use the lined pages at the end of this book. Write the question number against your answer(s).
- Do all rough work in this book. Cross through any work you do not want to be marked.
- State the units of your answer where appropriate.



INFORMATION

- The marks for questions are shown in brackets.
- The maximum mark for this paper is 60.
- You may ask for more answer paper, graph paper and tracing paper. These must be tagged securely to this answer book.

ADVICE

In all calculations, show clearly how you work out your answer.

DO NOT TURN OVER UNTIL TOLD TO DO SO



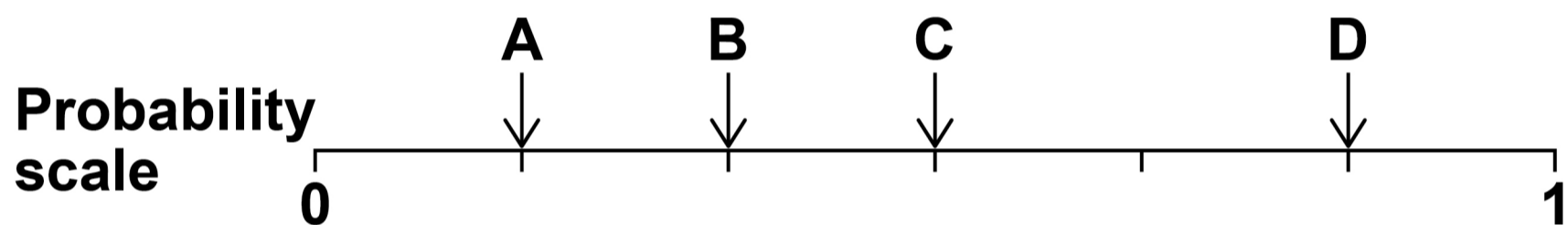
SECTION A

Answer ALL questions in the spaces provided.

1 A fair six-sided dice is rolled.

Which letter shows the probability of landing on an even number?

Circle your answer. [1 mark]



2 Circle the fraction with the same value as $3\frac{3}{4}$
[1 mark]

$$\frac{9}{4}$$

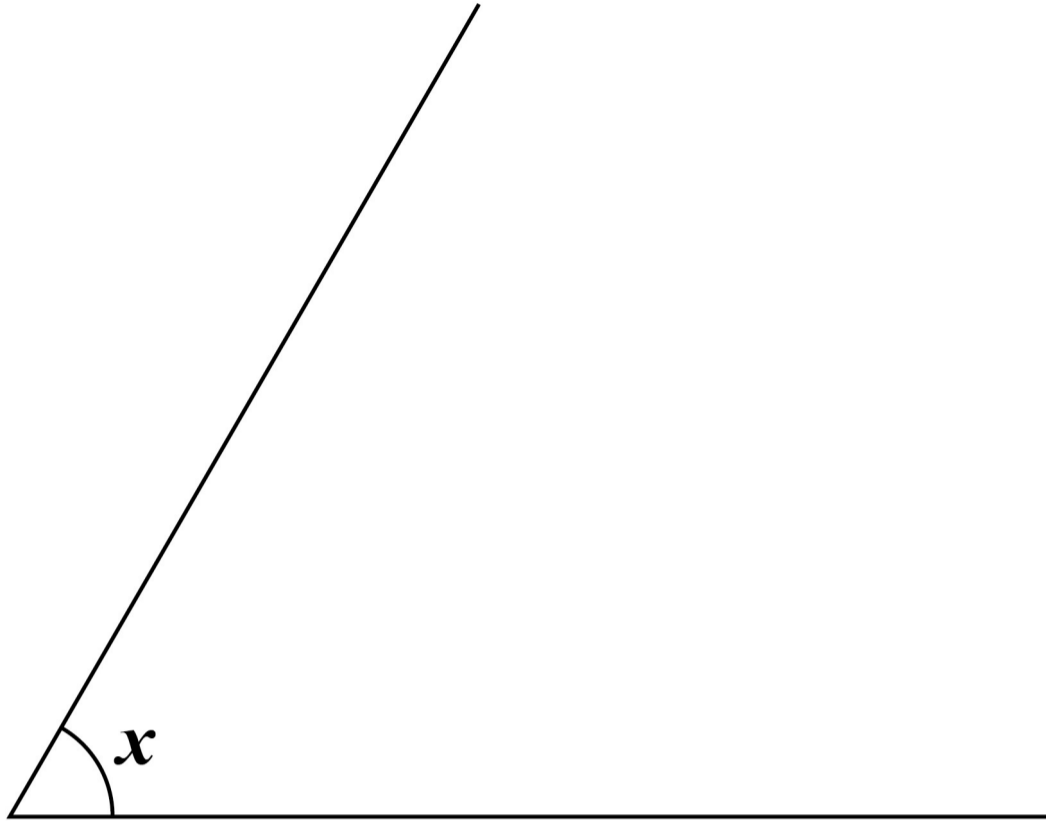
$$\frac{10}{4}$$

$$\frac{13}{4}$$

$$\frac{15}{4}$$



3 Measure the size of angle x [1 mark]



Answer _____ °

4 Calculate -5×-6 [1 mark]

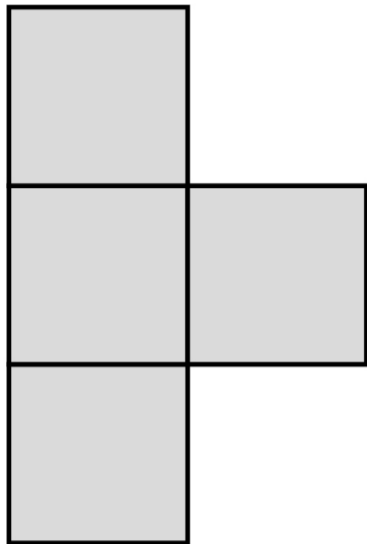
Answer _____

[Turn over]

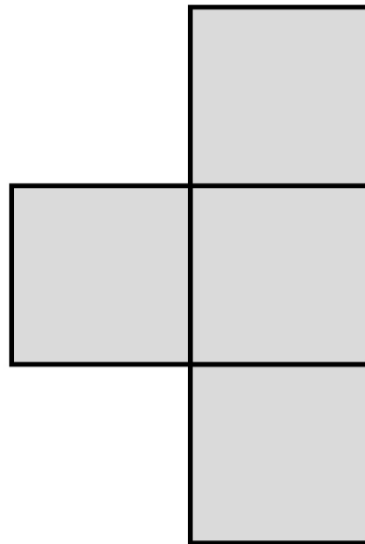


- 5 The front elevation and side elevation of a shape are shown.

FRONT ELEVATION



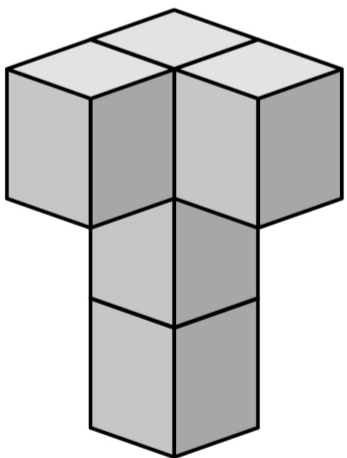
SIDE ELEVATION



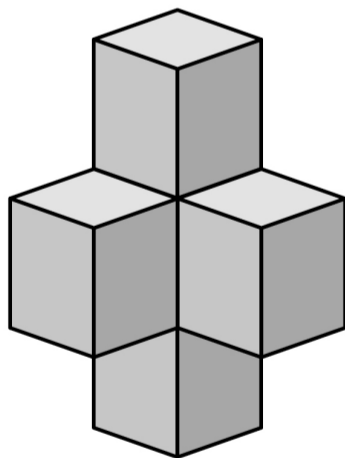
Which shape has these elevations?

Circle the correct letter. [1 mark]

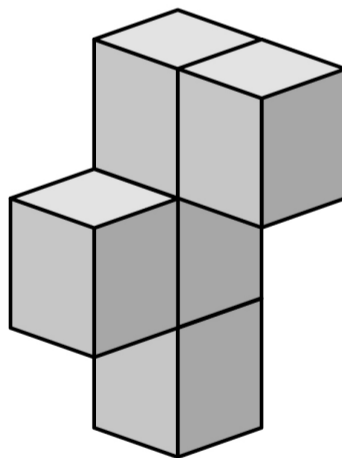
A



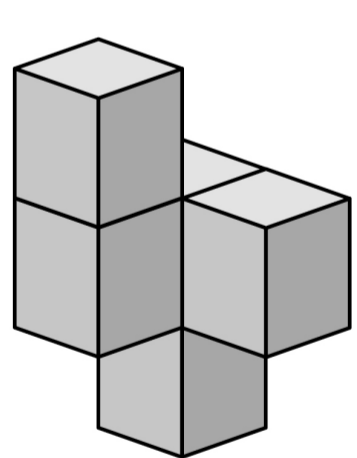
B



C



D



6 Round 14.76 to one decimal place. [1 mark]

Answer _____

7 Here are six numbers.

16 19 16 10 17 12

Work out the mean. [3 marks]

Answer _____

[Turn over]



8 Increase 630 by 40% [3 marks]

12



BLANK PAGE

[Turn over]



SECTION B

Answer ALL questions in the spaces provided.

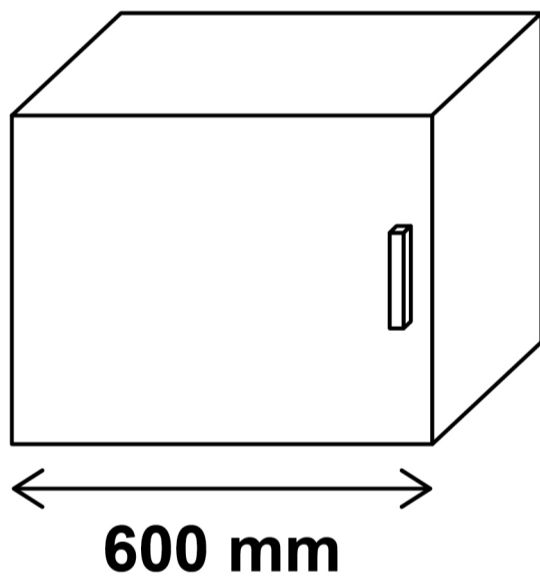
9 THE KITCHEN FITTER

Ryan is a kitchen fitter.

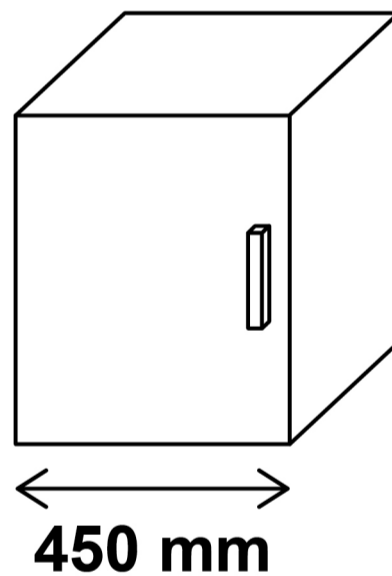
9 (a) A customer wants cupboards along one wall of her kitchen.

Ryan can choose from these cupboards.

LARGE



SMALL



He can choose some of each size.

The length of the wall is 3.45 METRES.

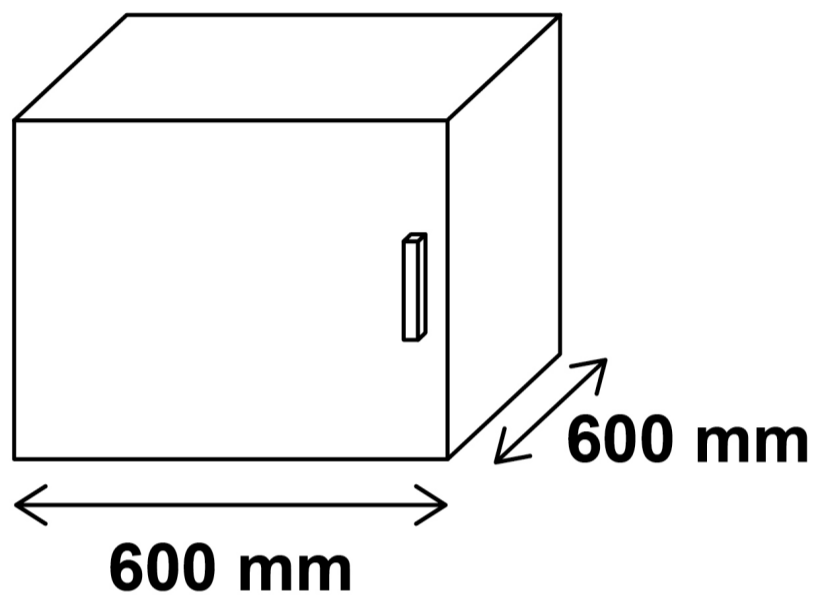


9 (b) A different customer wants

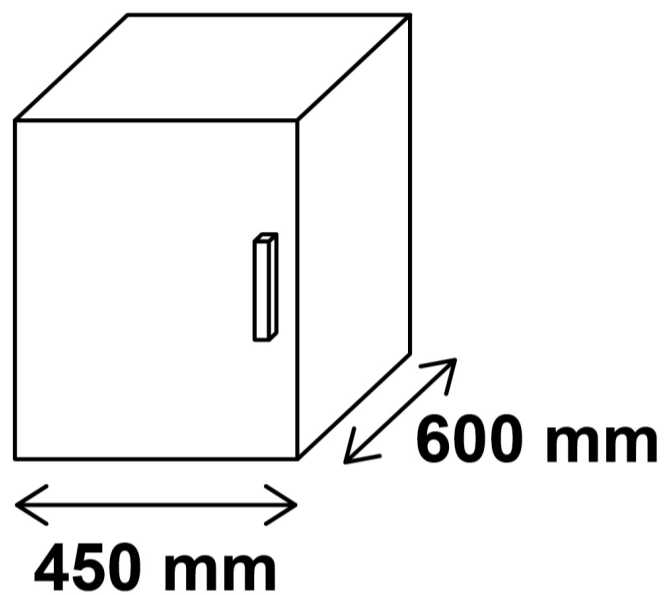
3 large cupboards with width 600 mm and depth 600 mm

2 small cupboards with width 450 mm and depth 600 mm

LARGE



SMALL



The cupboards will fit along **ONE** wall of this customer's kitchen.

The grid on the page opposite shows a scale drawing of the kitchen.

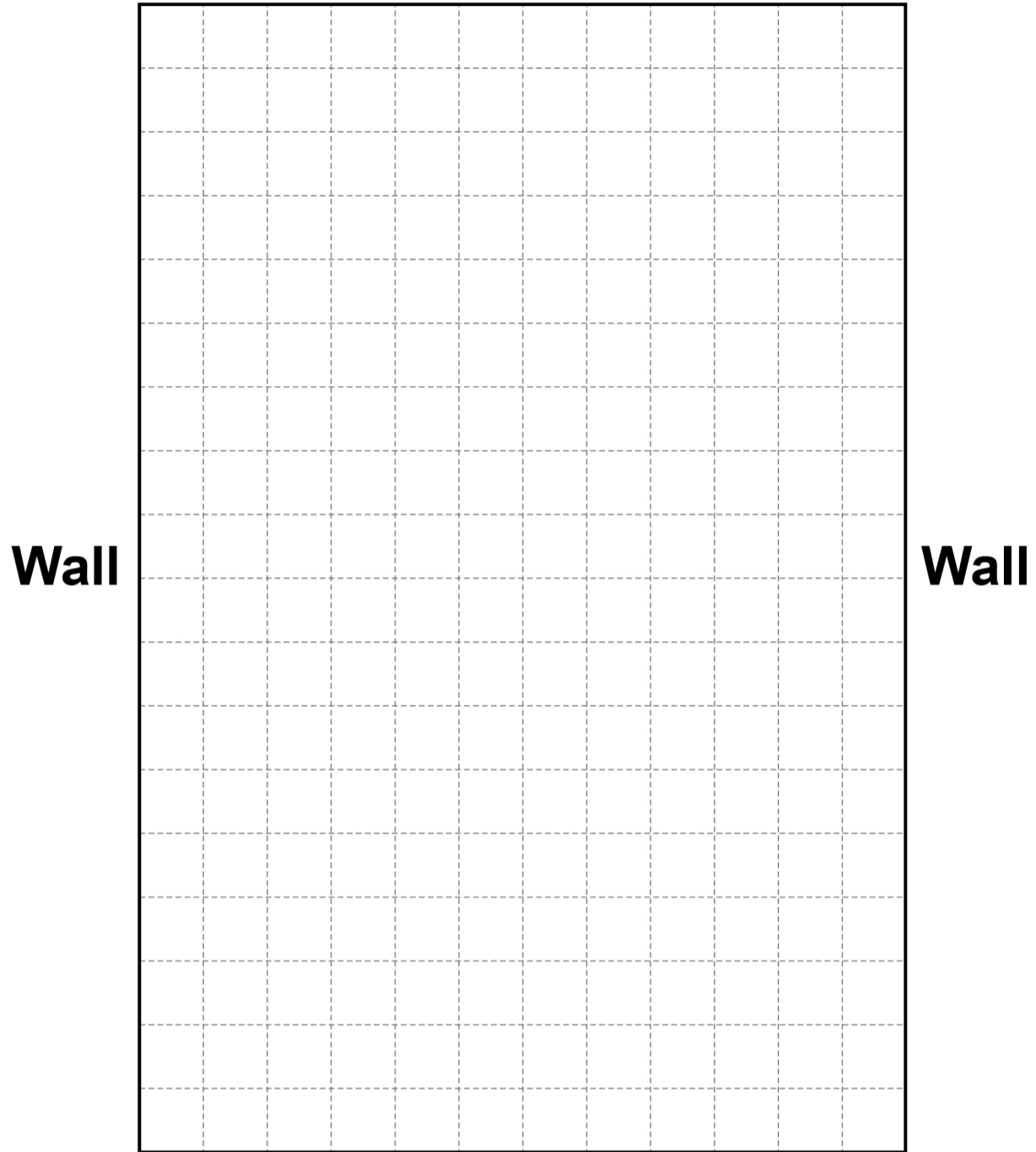
The scale is 1 cm represents 150 mm

Use the grid to draw a plan of where Ryan could fit the cupboards. [4 marks]



SCALE: 1 cm represents 150 mm

Wall



Wall

[Turn over]



9 (c) This is the price list for Ryan's kitchen cupboards.

	Price per cupboard
Large cupboard	£85.50
Small cupboard	£75.00

There is a special offer.

Large cupboards
Buy one, get one half price

A customer wants to order
6 large cupboards
and
2 small cupboards.

The customer has a budget of £550

Does the customer have enough money to buy these cupboards?

You **MUST** show your working. [5 marks]

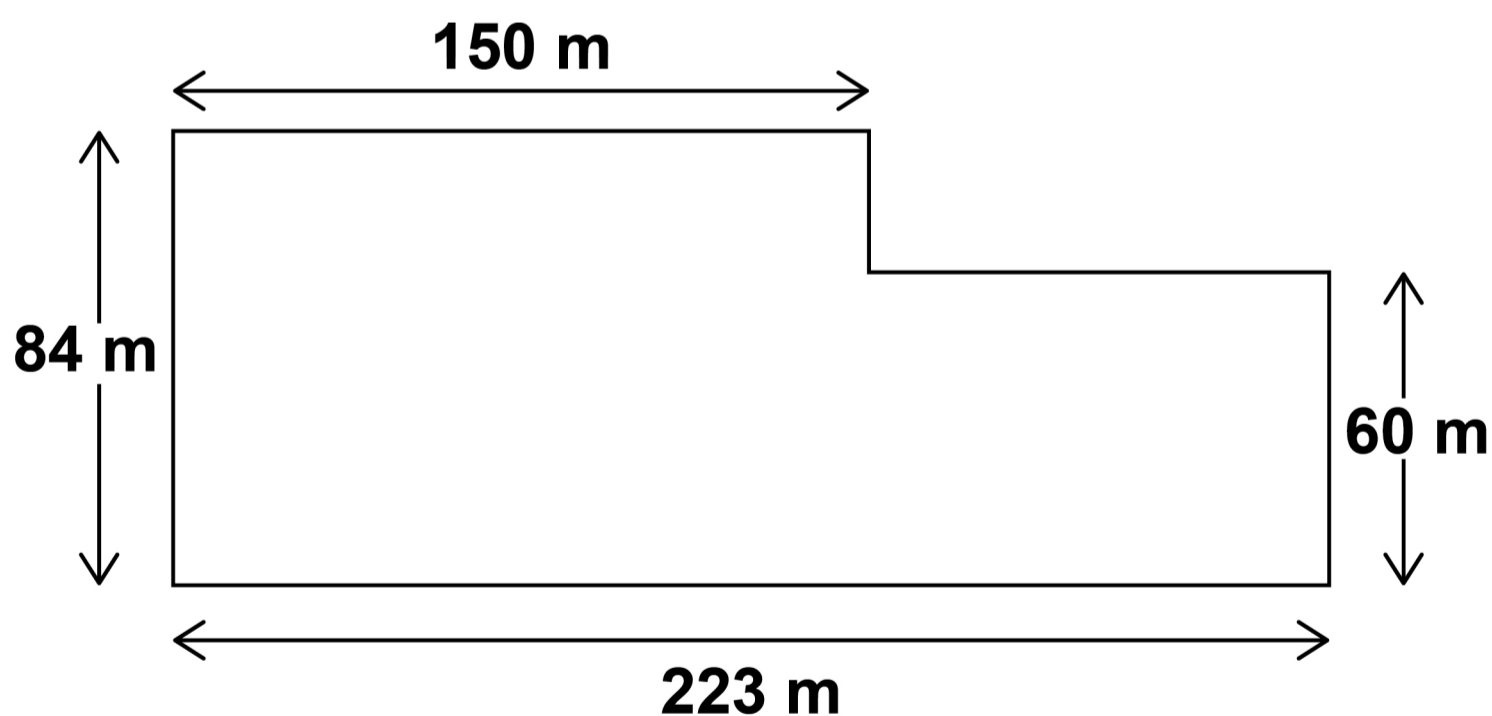


10 FLOWER FARM

Erik grows daffodils on his farm.



10 (a) This is a sketch of a field where Erik will grow daffodils. It is not drawn accurately.



Erik plants 1.25 kg of daffodil bulbs per square metre of land.



Answer £ _____

[Turn over]



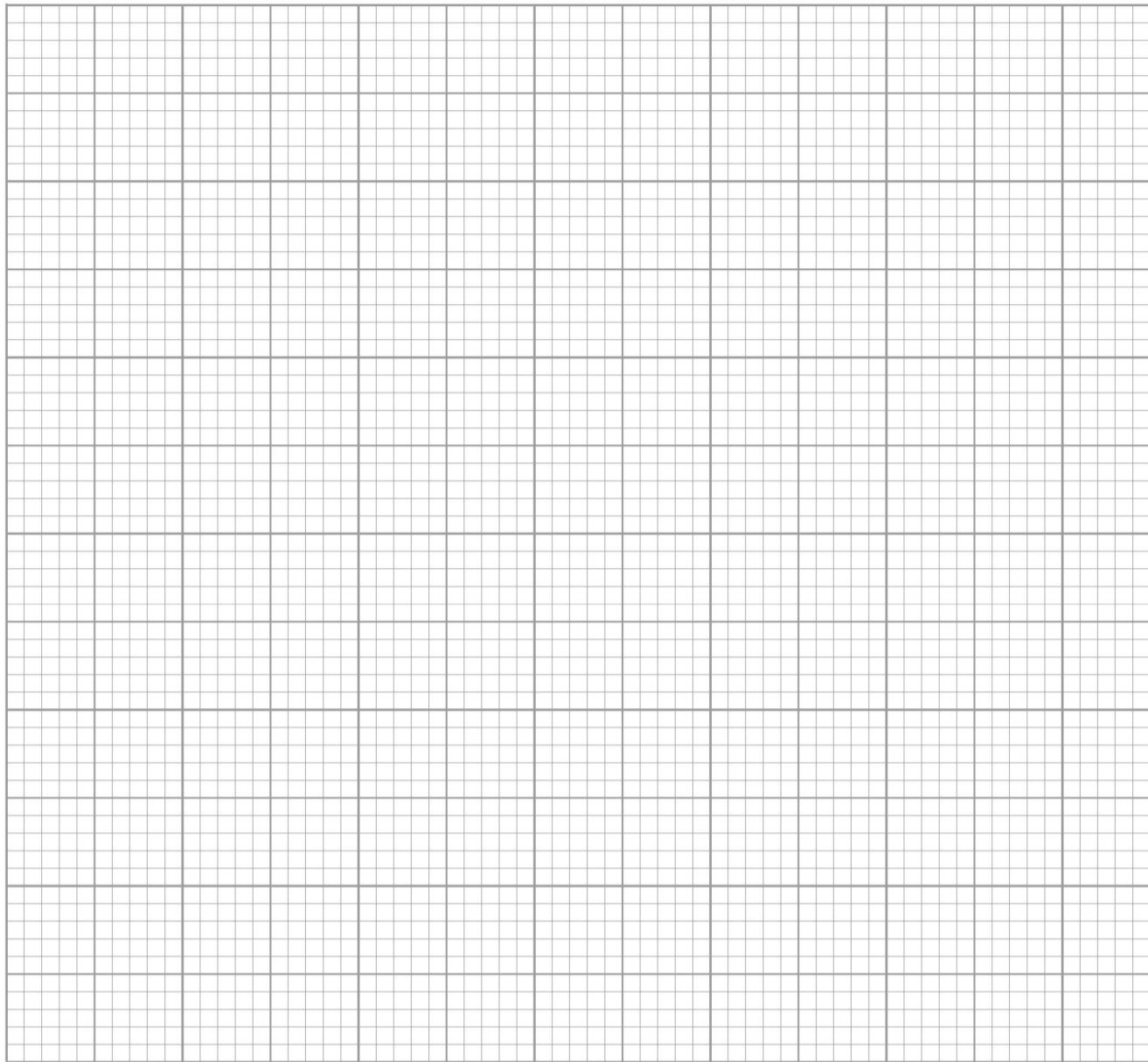
10 (c) Erik plants different types of daffodils in his fields.

Here is some data about the area he planted with each type of daffodil.

Type of daffodil	Area planted (m²)
Golden Ducat	88 000
White Lion	72 000
Ice Follies	46 000
Pink Pride	34 000

On the opposite page, draw a suitable chart to show this data. [4 marks]





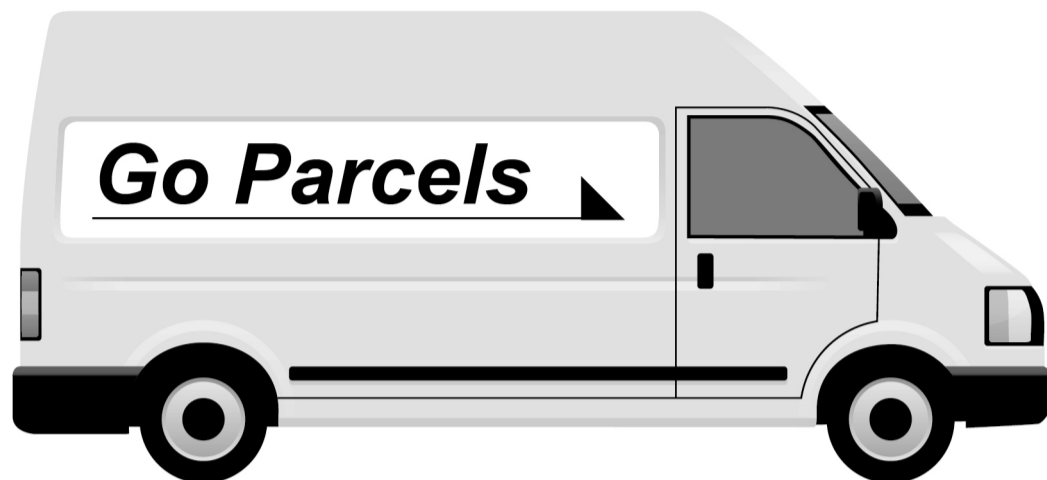
[Turn over]

13



11 PARCELS

Sam sends parcels using couriers.



- 11 (a) The table shows information about the cost of sending parcels with Go Parcels.

WEIGHT RANGE	COST
Up to 1 kg	£5.99
More than 1 kg up to 10 kg	£12.99
More than 10 kg up to 15 kg	£14.24
More than 15 kg up to 20 kg	£25.49

Sam needs to send items weighing 2 kg, 4 kg and 11 kg

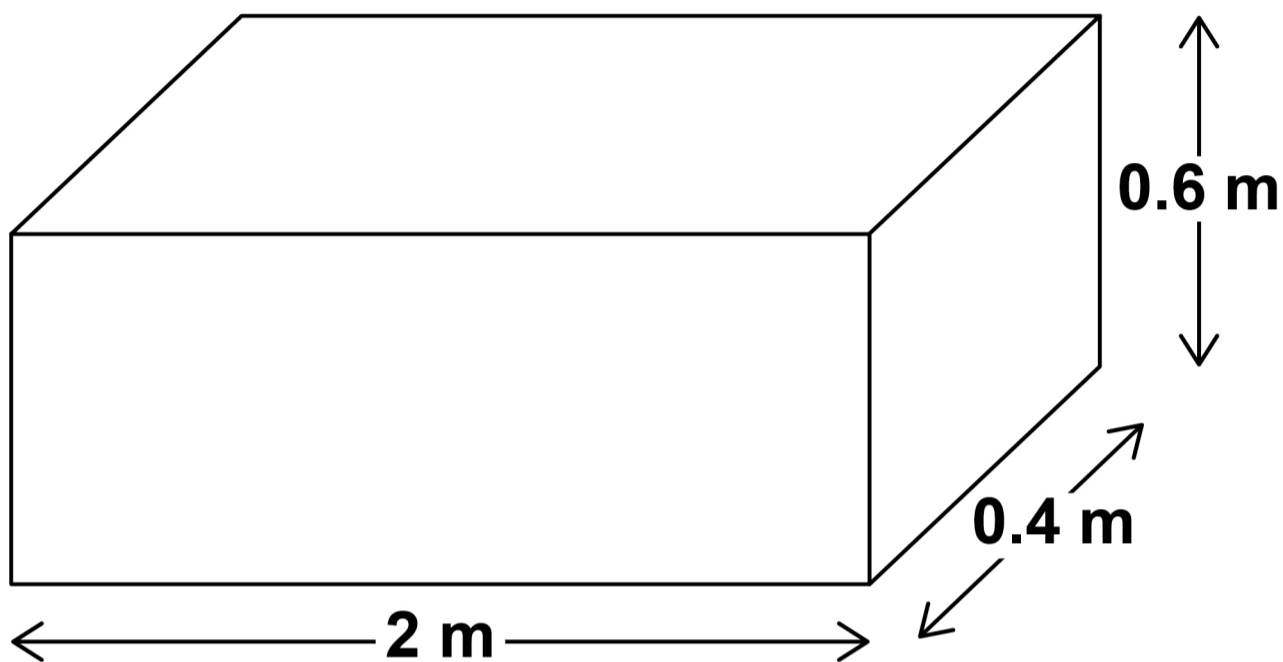
Sam can combine the three items into one parcel before sending.

How much cheaper is it to send one combined parcel rather than three separate parcels?
[4 marks]



- 11 (b) Sam sends a parcel with a different courier, Package Plus.

The parcel is a cuboid box measuring 2 m by 0.4 m by 0.6 m



Package Plus charges using the formula

$$\text{Cost (£)} = \text{£}15.25 + (\text{volume of parcel in m}^3 \times \text{£}4.25)$$

Sam pays with a £20 note.

How much change should Sam receive? [5 marks]



12 THE THEATRE

Amy is going to a theatre show in Chichester.

12 (a) Amy will travel by train to Chichester.

Amy has a railcard that gives her $\frac{1}{3}$ off the normal price of a train ticket.

The normal price of a return ticket to Chichester is £16.83

Amy says,

“My ticket will cost LESS THAN £11 if I use my railcard.”

Is Amy correct?

You MUST show your working. [3 marks]



[Turn over]



Answer £ _____

[Turn over]



END OF QUESTIONS

<hr/>
13



BLANK PAGE

For Examiner's Use	
Question	Mark
1–8	
9	
10	
11	
12	
TOTAL	

Copyright information

For confidentiality purposes, all acknowledgements of third-party copyright material are published in a separate booklet. This booklet is published after each live examination series and is available for free download from www.aqa.org.uk.

Permission to reproduce all copyright material has been applied for. In some cases, efforts to contact copyright-holders may have been unsuccessful and AQA will be happy to rectify any omissions of acknowledgements. If you have any queries please contact the Copyright Team.

Copyright © 2022 AQA and its licensors. All rights reserved.

IB/M/CD/Nov22/8361/2/E3

3 6



2 2 B G 8 3 6 1 / 2