



Please write clearly in block capitals.

Centre number

--	--	--	--	--

Candidate number

--	--	--	--

Surname

---

Forename(s)

---

Candidate signature

---

I declare this is my own work.

# A-level

## DESIGN AND TECHNOLOGY: FASHION AND TEXTILES

Paper 1 Technical Principles

Wednesday 7 June 2023

Afternoon

Time allowed: 2 hours 30 minutes

### Materials

For this paper you must have:

- normal writing and drawing instruments
- a scientific calculator.

### Instructions

- Use black ink or black ball-point pen. Use pencil only for drawing.
- Fill in the boxes at the top of this page.
- Answer **all** questions.
- You must answer the questions in the spaces provided. Do not write outside the box around each page or on blank pages.
- If you need extra space for your answer(s), use the lined pages at the end of this book. Write the question number against your answer(s).
- Do all rough work in this book. Cross through any work you do not want to be marked.

### Information

- The marks for questions are shown in brackets.
- The maximum mark for this paper is 120.

For Examiner's Use	
Question	Mark
1	
2–3	
4	
5	
6–7	
8	
9	
10	
11–12	
13–14	
15	
16	
17	
18	
19	
20	
21	
<b>TOTAL</b>	



J U N 2 3 7 5 6 2 1 0 1

G/KL/Jun23/E3

**7562/1**

Answer **all** questions in the spaces provided.

**0 1 . 1** Describe the **structure** of twill weave fabric.

**[3 marks]**

---

---

---

---

---

---

---

**0 1 . 2** Describe the **structure** of weft knitted fabric.

**[3 marks]**

---

---

---

---

---

---

---

6



0 2

Explain how smart materials can improve the performance of sportswear.

You should include **specific examples** of smart materials in your answer.

[6 marks]

---

---

---

---

---

---

---

---

---

---

---

---

---

---

---

---

---

---

---

---

---

---

---

0 3

Special effect metallic threads can be added to fabrics at different stages of production.

Give **two different** ways metallic threads can be added to fabrics.

[2 marks]

1 \_\_\_\_\_

---

---

---

2 \_\_\_\_\_

---

---

---

8

Turn over ►



0 4

A retailer has different offers on garments as shown in **Table 1**.

**Table 1**

Garment	Normal price	Sale offer
Budget	£17.99	$\frac{1}{5}$ off
Luxury	£24.50	40% off

Which garment is cheaper in the sale?

You **must** show your working.

**[3 marks]**

---

---

---

---

---

---

Answer \_\_\_\_\_

3



<b>0</b>	<b>5</b>
----------	----------

Describe a range of different garment manufacturing systems that meet the demand for fast changes in fashion.

**[9 marks]**

---

---

---

---

---

---

---

---

---

---

---

---

---

---

---

---

---

---

---

---

---

---

---

<b>9</b>

**Turn over for the next question**

**Turn over ►**



0	6
---	---

Name **two** inorganic fibres.**[2 marks]**

1 \_\_\_\_\_

2 \_\_\_\_\_

0	7
---	---

Outline the role of the British Standards Institute (BSI).

**[3 marks]**

---

---

---

---

---

---

---

5



**0 8**

Explain how the **properties of fabrics** can be modified by applying a range of chemical finishes.

In your answer you should refer to specific chemical finishes.

**[12 marks]**

---

---

---

---

---

---

---

---

---

---

---

---

---

---

---

---

---

---

---

---

---

---

---

---

---

---

**12**

Turn over ▶



0 9

Manufacturers need to comply with Health and Safety laws.

Analyse and evaluate how the Health and Safety at Work Act (1974) impacts on the **manufacturers** of fashion and textiles products.

**[9 marks]**

---

---

---

---

---

---

---

---

---

---

---

---

---

---

---

---

---

---

---

---

---

---

---

---

9
---





**Turn over for the next question**

*Do not write  
outside the  
box*

**DO NOT WRITE ON THIS PAGE  
ANSWER IN THE SPACES PROVIDED**

**Turn over ►**



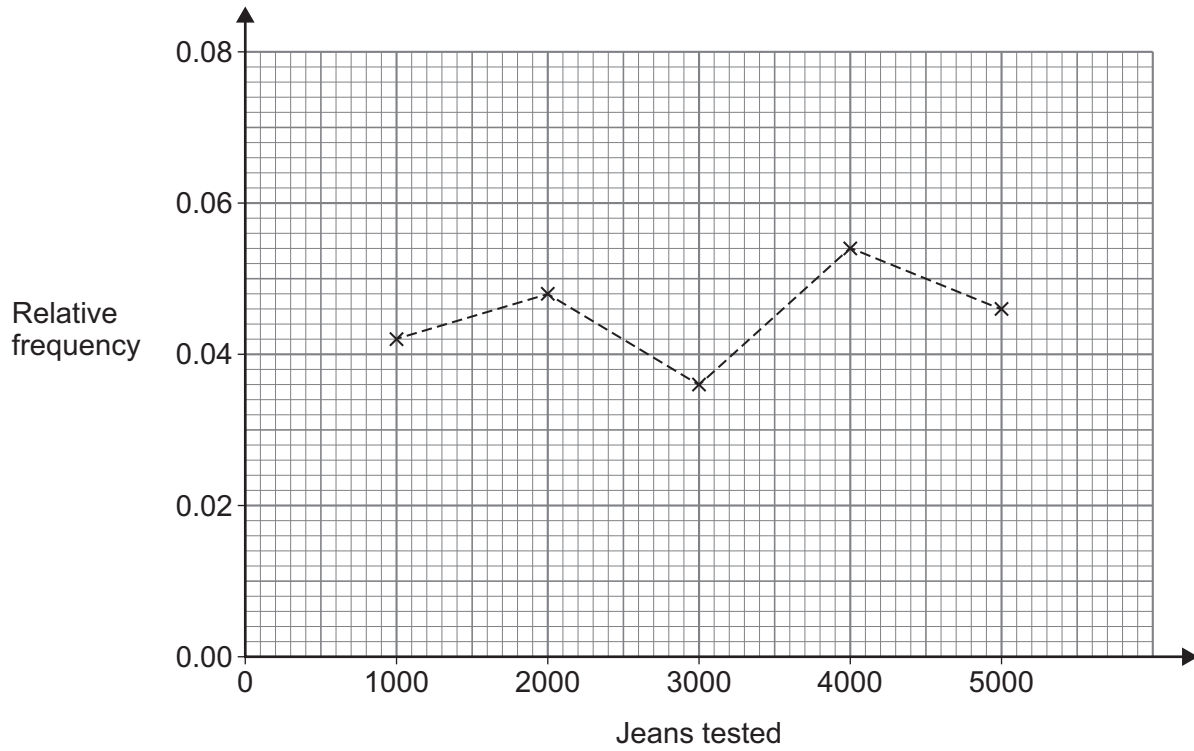
0 9

1 0

A jeans manufacturer carries out a survey to investigate the probability of producing faulty jeans.

The relative frequency of faulty jeans was calculated and the results are plotted on the graph in **Figure 1**.

**Figure 1**



1 0 . 1

How many of the first 3000 jeans tested were faulty?

Show your working.

**[2 marks]**

---



---

Answer \_\_\_\_\_



**1 0 . 2** Estimate the probability that one pair of jeans, selected at random, will be faulty.

Show your working.

Give a clear reason for your answer.

**[2 marks]**

---

---

---

---

---

**4**

**Turn over for the next question**

**Turn over ►**





---

---

---

---

---

---

---

---

---

---

---

---

---

---

---

---

---

---

---

---

---

---

---

1	2
---	---

Explain the benefits of virtual modelling for use in client presentations.

**[6 marks]**

---

---

---

---

---

---

---

---

---

---

---

---

---

---

---

---

---

---

---

---

---

---

---

18
----

**Turn over ►**



1 3

Give **two** uses for bindings cut on the bias when making textile products.

[2 marks]

1 \_\_\_\_\_

\_\_\_\_\_

2 \_\_\_\_\_

\_\_\_\_\_

1 4

Give **three** advantages of sub-assembly.

[3 marks]

1 \_\_\_\_\_

\_\_\_\_\_

\_\_\_\_\_

2 \_\_\_\_\_

\_\_\_\_\_

\_\_\_\_\_

3 \_\_\_\_\_

\_\_\_\_\_

\_\_\_\_\_

5

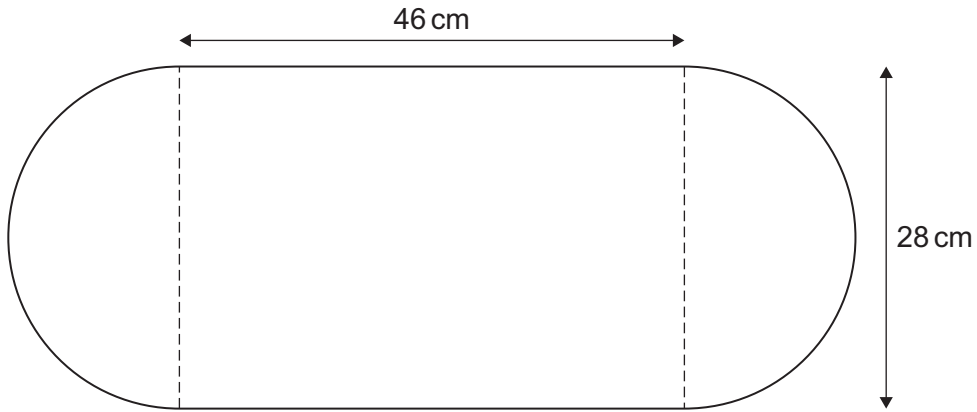


1	5
---	---

Figure 2 shows a pattern template for a table mat.

Figure 2

Not drawn to scale



The pattern template is a rectangle with a semi-circle at each end.

Calculate the perimeter of the table mat shape to the nearest cm.

Show your working.

[3 marks]

---



---



---



---



---



---



---



---



---

Answer \_\_\_\_\_

3

Turn over ►



1	6
---	---

Outline the **qualities** required for a fashion collection to be worn in a warm climate.

In your answer you should refer to specific:

- fibre types
- fabric structures
- fabric properties.

**[9 marks]**

---

---

---

---

---

---

---

---

---

---

---

---

---

---

---

---

---

---

---

---

---

---

---

---

---

9
---





1	7
---	---

Describe **two** different methods of core-spinning yarns.

**[4 marks]**

Method 1 \_\_\_\_\_  
\_\_\_\_\_  
\_\_\_\_\_

Method 2 \_\_\_\_\_  
\_\_\_\_\_  
\_\_\_\_\_

4

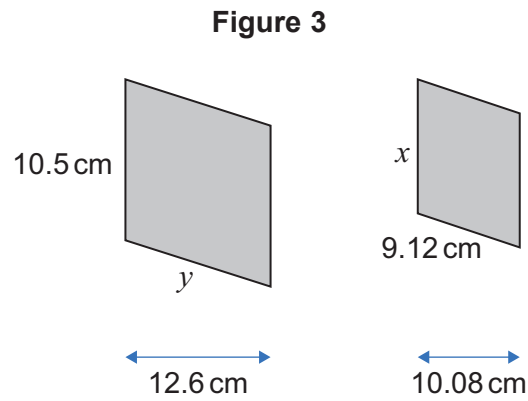
**Turn over for the next question**

**Turn over ►**



1 8

Pattern templates for two different sizes of similar patchwork pieces are shown in **Figure 3**.



Calculate lengths  $x$  and  $y$ .

Show your working.

**[3 marks]**

---



---



---



---



---



---

$$x = \underline{\hspace{2cm}} \text{ cm}$$

$$y = \underline{\hspace{2cm}} \text{ cm}$$

3



**Turn over for the next question**

*Do not write  
outside the  
box*

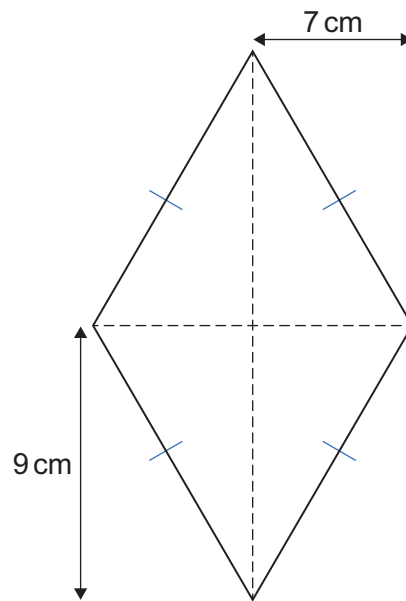
**DO NOT WRITE ON THIS PAGE  
ANSWER IN THE SPACES PROVIDED**

**Turn over ►**



1 9 . 1

Figure 4



Calculate the area of the diamond-shaped patchwork piece shown in **Figure 4**.  
[2 marks]

---

---

---

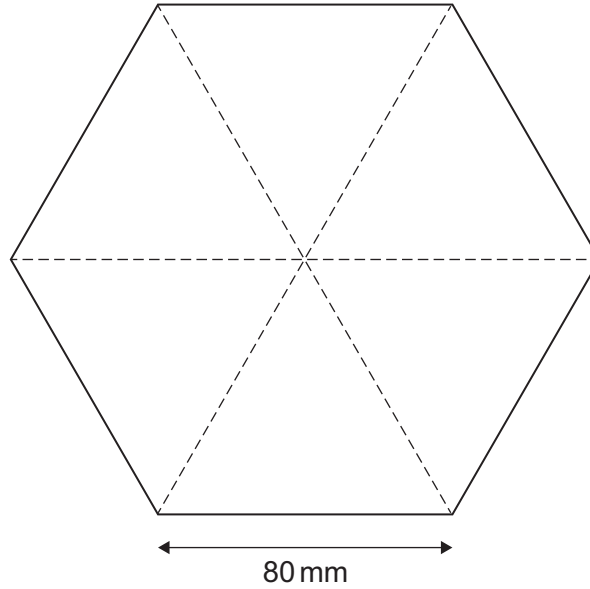
---

Answer \_\_\_\_\_ cm<sup>2</sup>



- 1 9 . 2** The hexagon shown in **Figure 5** is a patchwork piece made up of six identical equilateral triangles.

**Figure 5**



Calculate the area of the hexagon to the **nearest  $\text{cm}^2$**

**[5 marks]**

---



---



---



---



---



---



---



---



---



---

Answer \_\_\_\_\_  $\text{cm}^2$

7

Turn over ►







**There are no questions printed on this page**

*Do not write  
outside the  
box*

**DO NOT WRITE ON THIS PAGE  
ANSWER IN THE SPACES PROVIDED**











**There are no questions printed on this page**

*Do not write  
outside the  
box*

**DO NOT WRITE ON THIS PAGE  
ANSWER IN THE SPACES PROVIDED**

**Copyright information**

For confidentiality purposes, all acknowledgements of third-party copyright material are published in a separate booklet. This booklet is published after each live examination series and is available for free download from [www.aqa.org.uk](http://www.aqa.org.uk).

Permission to reproduce all copyright material has been applied for. In some cases, efforts to contact copyright-holders may have been unsuccessful and AQA will be happy to rectify any omissions of acknowledgements. If you have any queries please contact the Copyright Team.

Copyright © 2023 AQA and its licensors. All rights reserved.



2 8



2 3 6 A 7 5 6 2 / 1

G/Jun23/7562/1