

AQA **Surname** _____**Forename(s)** _____**Centre Number** _____**Candidate Number** _____**Candidate Signature** _____**I declare this is my own work.****Functional Skills Level 2****MATHEMATICS****Paper 1 Non-Calculator****8362/1****Tuesday 28 February 2023 Morning****Time allowed: 30 minutes**

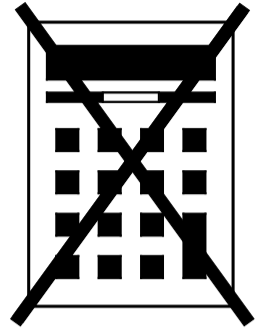
At the top of the page, write your surname and forename(s), your centre number, your candidate number and add your signature.

[Turn over]

MATERIALS

For this paper you must have:

- **mathematical instruments.**



You must NOT use a calculator.

INSTRUCTIONS

- **Use black ink or black ball-point pen. Draw diagrams in pencil.**
- **Answer ALL questions.**
- **You must answer the questions in the spaces provided. Do not write on blank pages.**
- **If you need extra space for your answer(s), use the lined pages at the end of this book. Write the question number against your answer(s).**
- **Do all rough work in this book. Cross through any work you do not want to be marked.**



- **State the units of your answer where appropriate.**

INFORMATION

- **The marks for questions are shown in brackets.**
- **The maximum mark for this paper is 20.**
- **You may ask for more answer paper, graph paper and tracing paper. These must be tagged securely to this answer book.**

ADVICE

In all calculations, show clearly how you work out your answer.

DO NOT TURN OVER UNTIL TOLD TO DO SO



SECTION A

Answer ALL questions in the spaces provided.

1 Here are six numbers.

10 13 13 15 18 21

Work out the median.

Circle your answer. [1 mark]

11 13 14 15



2 Work out $(7 + 3)^2 - 6 \times 4$ [2 marks]

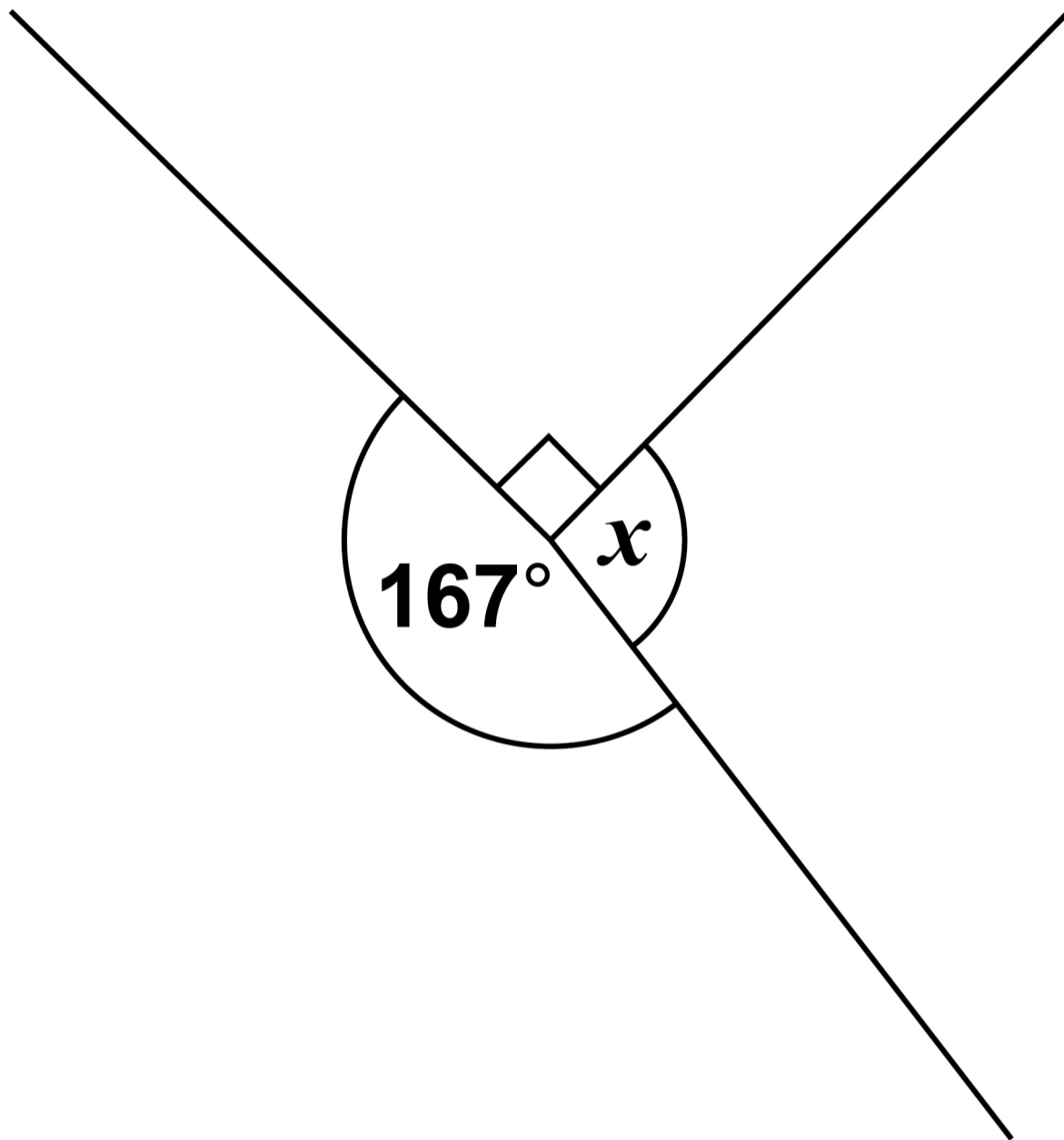
Answer _____

[Turn over]



3 Work out the size of angle x .

**The diagram is not drawn accurately.
[2 marks]**





Answer _____ °

4 Work out $3.762 \div 9$ [2 marks]

Answer _____

[Turn over]



5 The probability of an event happening is 83%

What is the probability of the event NOT happening? [1 mark]

Answer _____ **%**

8



BLANK PAGE

[Turn over]



SECTION B

Answer ALL questions in the spaces provided.

6 FUDGE

Calvin is making fudge.

6(a) A recipe needs 9 ounces of butter to make 30 pieces of fudge.

Calvin wants to make 40 pieces.

He has 175 grams of butter.

How much MORE butter does he need?

Give your answer in GRAMS.

Use 1 ounce = 25 grams [5 marks]



[Turn over]



Answer _____ **grams**

6(b) Calvin makes the 40 pieces of fudge.

He covers

14 of the pieces in white chocolate

the remaining pieces in milk chocolate.

What fraction of the pieces does he cover in MILK chocolate?

Give your answer in its simplest form. [3 marks]



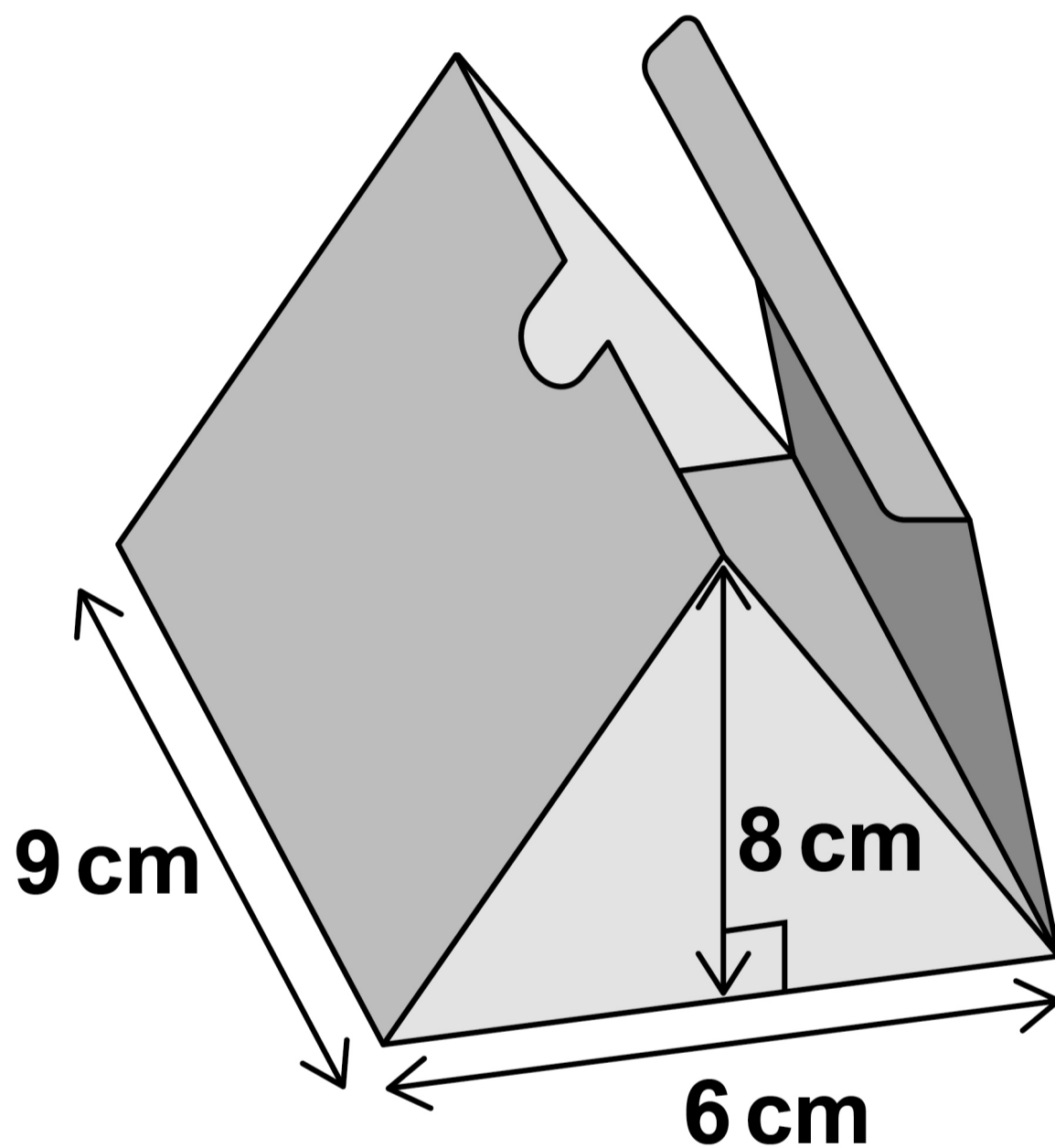
Answer _____

[Turn over]



6(c) Calvin puts some of the fudge into a gift box.

The box is a triangular prism.



To work out the volume of the box, he follows these steps.

STEP 1 Work out the area of the triangular face.



STEP 2 Multiply the answer to STEP 1 by the length of the box.

For this box, each piece of fudge needs 10 cm^3 of space.

How many pieces of fudge can Calvin fit in the box? [4 marks]

[Turn over]



Answer _____

END OF QUESTIONS

12



Additional page, if required.

Write the question numbers in the left-hand margin.



Additional page, if required.

Write the question numbers in the left-hand margin.

Additional page, if required.

Write the question numbers in the left-hand margin.

BLANK PAGE

For Examiner's Use	
Question	Mark
1–5	
6	
TOTAL	

Copyright information

For confidentiality purposes, all acknowledgements of third-party copyright material are published in a separate booklet. This booklet is published after each live examination series and is available for free download from www.aqa.org.uk.

Permission to reproduce all copyright material has been applied for. In some cases, efforts to contact copyright-holders may have been unsuccessful and AQA will be happy to rectify any omissions of acknowledgements. If you have any queries please contact the Copyright Team.

Copyright © 2023 AQA and its licensors. All rights reserved.

WP/M/SB/Mar23/8362/1/E2