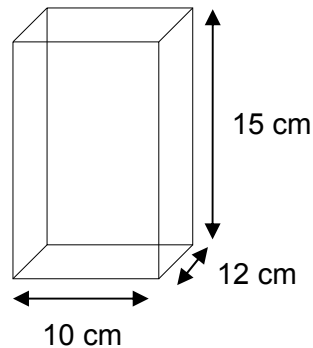


One mug is packed in a 10 cm by 12 cm by 15 cm plastic box.



Not drawn
accurately

Two mugs are put in a larger cardboard box.

- (a) Give three sets of possible dimensions for the larger box?
- (b) Which of your boxes uses the least cardboard?

Extension

A large box needs to hold 36 mugs.

Design a box that uses as little cardboard as possible.